

KABELSCHUTZ SYSTEME

CABLE PROTECTION SYSTEMS

FLEXA - FOOD
Lebensmittelindustrie
Food and Beverage

FDA **ECOLAB**

www.flexa.de



IP 68
-40°C ... +80°C ^ +110°C

ECOLAB

FDA CFR 21 konform | compliant



LIQUID – TIGHT – FOOD

Metall-Schutzschlauch
Stahl verzinkt, PU-Mantel

Protective metal conduit
galvanized steel, PU sheathing

EIGENSCHAFTEN

- lebensmittelecht
- besonders flüssigkeitsdicht
- erhöht ölbeständig
- mikrobebeständig
- selbstverlöschend

PROPERTIES

- food-safe
- extremely liquid-tight
- highly oil-resistant
- microbe resistant
- self-extinguishing

ANWENDUNGSGEBIETE

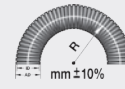
- Lebensmittelindustrie
- Automation
- Elektroanlagen
- Maschinen- und Anlagenbau

APPLICATION

- food and beverage industry
- automotive
- electrical installations
- machine and plant constructions

FLEXA No.

AD
OD



blau blue

ø

mm

stat dyn

kg| m

m



1 2083 914 016	1/2"	16,0 x 21,0	105	260	0,300	50
1 2083 914 021	3/4"	21,0 x 26,5	175	430	0,460	50
1 2083 914 026	1"	26,5 x 33,0	200	500	0,650	25
1 2083 914 035	1 1/4"	35,5 x 42,0	240	600	1,000	25

IP 68
-25°C ... +50°C ^ +70°C

ECOLAB

FDA CFR 21 konform | compliant



AIRflex® – GRS – FOOD

Vollkunststoff-Schutzschlauch
lebensmittelecht, außen und innen glatt

Protective all-plastic conduit
food-safe, plain inside and outside surfaces

EIGENSCHAFTEN

- lebensmittelecht
- mikrobebeständig
- flexibel
- luft- und flüssigkeitsdicht
- weichmacherfrei

PROPERTIES

- food-safe
- microbe resistant
- flexible
- airtight and liquid tight
- unplasticized

ANWENDUNGSGEBIETE

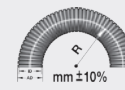
- Lebensmittelindustrie
- Automation
- Elektroanlagen
- Maschinen- und Anlagenbau

APPLICATION

- food and beverage industry
- automation
- electrical installations
- machine and plant constructions

FLEXA No.

AD
OD



blau blue

ø

mm

stat dyn

kg| m

m



1 0220 904 016	1/2"	16,0 x 21,0	70	175	0,175	50
1 0220 904 021	3/4"	21,0 x 27,0	85	210	0,240	50
1 0220 904 029	1"	26,2 x 33,0	125	310	0,410	25
1 0220 904 038	1 1/4"	35,0 x 42,0	160	400	0,530	25

US – FOOD

Metallverschraubung
Edelstahl
gerade
Außengewinde
inkl. Innentülle und O-Ring

Metal connector
stainless steel
straight
outer thread
incl. ferrule and sealing

IP 68 | IP 69K
-40°C ... +125°C

ECOLAB



KONSTRUKTION

Verschraubungsgehäuse mit Sechskant-schlüsselfläche, feststehendes Außen-gewinde metrisch nach EN 60423, Sechskantdruckmutter, Kunststoff-Dichtring, einteilige Gewinde-Innentülle und O-Ring

STRUCTURE

Connector body with hexagon wrench surface, fixed connecting outer thread metric acc to EN 60423, hexagon pressure nut, plastic sealing, one-part thread ferrule and O-ring

MATERIAL

Gehäuse Edelstahl|Versaflex CL2250
Druckmutter Edelstahl 1.4404
Dichtring Kunststoff PA 6
Innentülle Messing
O-Ring NBR

MATERIAL

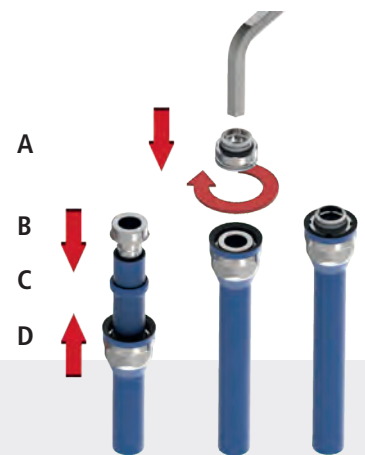
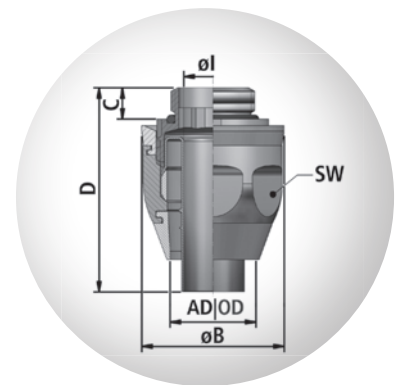
Conn. Body stainless steel|Versaflex CL2250
Pressure nut stainless steel 1.4404
Sealing ring plastics PA 6
Ferrule nickel-plated brass
O-ring NBR

EIGENSCHAFTEN

- lebensmittelecht
- hoher Staub- und Flüssigkeitsschutz
- kraftschlüssige Verbindung von Schlauch und Verschraubung
- einwandfreie Erdung
- Abdeckung der Schlauchenden
- vibrations- und zugfest
- IP 68 geprüft nach EN 60529 | IP 69K geprüft nach DIN 40050-9 [interne Prüfung] bis 40 bar, 80° C

PROPERTIES

- food-safe
- highly watertight and dustproof
- friction-type locking of conduit and screw connector
- correct grounding
- covering of the conduit ends
- vibration- and tension proof
- IP 68 approved acc. to EN 60529 | IP 69K approved acc. to DIN 40050-9 [internal audit] up to 40 bar, 80° C



- A Verschraubungskörper mit montiertem O-Ring connector body with mounted O-ring
- B Innentülle ferrule
- C Dichtring sealing ring
- D Druckmutter pressure nut



VIDEO

AD
OD



FLEXA No.



US – FOOD – M

LIQUID – TIGHT – FOOD
GRS – FOOD

ø	Metr. EN 60423	[IP 68]	mm	øl mm	øB mm	C mm	D mm	SW mm	SW mm	kg 100	St. pcs.
1/2"	M 20 x 1,5	1 0608 800 020	16,0 x 21,0	14,0	34,0	7,5	48,5	30	14	7,040	10
1/2"	M 25 x 1,5	1 0608 800 125	16,0 x 21,0	14,0	41,0	7,5	49,5	36	14	11,510	10
3/4"	M 25 x 1,5	1 0608 800 025	21,0 x 27,0	18,8	41,0	7,5	58,0	36	19	10,010	5
1"	M 32 X 1,5	1 0608 800 032	26,5 x 33,0	27,8	53,0	7,5	68,0	46	25	19,325	5
1 1/4"	M 40 X 1,5	1 0608 800 040	35,0 x 42,0	32,0	61,0	7,5	80,0	54	32	29,295	2

BERLIN LEIPZIG DRESDEN Industrievertretung Holger Koebe info@koebe-iv.de www.koebe-iv.de Tel 0331 810340 Fax 0331 810339	FREIBURG R. Rantzuch KG info@rantzuch-et.de www.rantzuch-et.de Tel 07664 50569-0 Fax 07664 50569-0	HAMBURG Horst Falke Industrievertretungen e.K. info@horst-falke.de www.horst-falke.de Tel 040 67000-13 / -14 Fax 040 6703842	MÜNCHEN Handelsvertretung Süd Edgar Huemer huemer@hvsued.de www.hvsued.de Tel 0172 6666272 Fax 06181 677-55729	STUTTGART steute & Philippin Industrievertretung GmbH & Co. KG info.philippin@steute.com www.steute-philippin.de Tel 07152 354158-0
DORTMUND DÜSSELDORF Sönnecken GmbH soenneckengmbh@t-online.de Tel 0231 5600012 Fax 0231 590607	FRANKFURT MANNHEIM Alexander Trunk a.trunk@flexa.de www.flexa.de Tel 06181 677-156 Fax 06181 677-156	HANNOVER Jens Hennig j.hennig@flexa.de www.flexa.de Tel 0173 2079857 Fax 06181 677-55295	NÜRNBERG Jacob Haag Nachfolger OHG info@haag-elektro.de www.haag-elektro.de Tel 09103 71370-0 Fax 09103 916 / 917	

UNSERE PARTNER IM AUSLAND

AUSTRALIA
HARTING Australia Pty Ltd., Bundoora
au@harting.com
www.harting.com.au
Tel +61 3 9466-7088

DENMARK
Hans Følsgaard A/S, Koge
hf@hf.net
www.hf.net
Tel +45 43208600

HUNGARY
Q-TECH Ltd. & Co., Budapest
info@q-tech.hu
www.q-tech.hu
Tel +36 1 405-3338

NORWAY
Treotham AS, Billingstad
treotham@treotham.no
www.treotham.no
Tel +47 66778320

SWEDEN
OEM Automatic AB, Tranas
info@aut.oem.se
www.oemautomatic.se
Tel +46 75 2424100

AUSTRIA
Votohm GmbH, Sulz
info@votohm.at
www.votohm.at
Tel +43 5522 494 20

FINLAND
OEM Finland OY, Turku
info@oem.fi
www.oem.fi
Tel +358 207 499499

INDIA
TECHWORKS ENGINEERING Pvt. Ltd.
BENGALURU
murlidhar@tecwo.com
www.jacob-gmbh.com
Tel +91 80 67205555

POLAND
Soyter Components
Spolka z o.o. Sp. K, Izabelin
handlowy@soyter.pl
www.soyter.pl
Tel +48 22 7528255

SWITZERLAND
AGRO AG, Hunzenschwil
info@agro.ch
www.agro.ch
Tel +41 62 8894747

BELGIUM
S.A. Huppertz N.V., Wilrijk
info@huppertz.be
www.huppertz.be
Tel +32 2 3343434

FINLAND
Esbecon Oy, Nummela
sales@esbecon.fi
www.esbecon.fi
Tel +358 9 22522-60

ISRAEL
Wave Mechanics Ltd., Kfar-Saba
wave@wavetech.co.il
www.wavetech.co.il
Tel +972 9 7644-878

POLAND
OEM Automatic Sp. z o.o.
www.oemautomatic.pl
info@pl.oem.se
Tel +48 22 8632722

TAIWAN
Faradick Co. Ltd., Taipei
faradick@seed.net.tw
www.faradick.com.tw
Tel +886 2 27988187

BRAZIL
Controall, Sao Paulo
controall@controall.com.br
www.controall.com.br
Tel +55 11 2941-9490

FRANCE
Baumann Sarl, Geispolsheim Gare
www.baumann.fr
info@baumann.fr
Tel +33 3 88408500

ISRAEL
SystematITech Ltd., Tel Aviv
sales@systematitech.com
www.systematitech.com
Tel +972 3 9605008

PORTUGAL
Gaestopas Portugal, Alfena
www.gaestopas.com
portugal@gaestopas.com
Tel +351 220 433 878

THAILAND
Compomax Co. Ltd., Bangkok
info@compomax.co.th
www.compomax.co.th
Tel +66 2 1050555

BRAZIL
Harting Ltda., Sao Paulo
br@harting.com.br
www.harting.com.br
Tel +55 11 503500-73

FRANCE
Groupe Intercables, Roquefort
www.intercables.com
info@intercables.com
Tel +33 4 86186032

ITALY
Elektrozubehör S.p.A., Milano
info@elektrozubehor.it
www.elektrozubehor.it
Tel +39 02 701471

ROMANIA
Pema electrotehnic srl, Drambar
office@pema.ro
www.pema-electrotehnic.ro
Tel +40 258 806 924

THE NETHERLANDS
Hemmink B.V., Zwolle
info@hanzestroh.nl
www.hemmink.nl
Tel +31 85 4872400

BULGARIA
Akhnaton Bulgaria AD, Sofia
office@mail.akhnaton.netbg.com
www.akhnaton.biz/en
Tel +359 2 817600

FRANCE
IMAGINELEC, Bain de Bretagne
achats@imaginelec.com
www.imaginelec.com
Tel +33 2 99441524

ITALY
DKC Europe S.r.L., Villanova Sull'Arda
cosmec@dkceurope.eu
www.dkceurope.de
Tel +39 0321 9898910

SINGAPORE
Hans Industries Pte. Ltd.
sales@hansindustries.net
www.hansengineering.com
Tel +65 69557779

TURKEY
Harting Türkei Ltd., Istanbul
info@harting.com
www.harting.com
Tel +90 216 6888100

CANADA
IBIS Electro-Products Corp. Cambridge
sales@ibisep.com
www.ibisep.com
Tel +1 800 350-7937
Tel +1 519 756-4299

FRANCE
DIRECT SA, ZAC de la vente Olivier
direct@direct.fr
www.direct.fr
Tel +33 2 32102343

JAPAN
Kinjo Denki Co. Ltd., Nagoya
nagoya@neoflex.co.jp
www.neoflex.co.jp
Tel +81 52 5041-212

SLOVAK REPUBLIC
Distributor for Railways
Draco s.r.o., Martin
dracosro@gmail.com
www.dracosro.sk
Tel +421 43 4220577

UKRAINE
VBR Ltd., Kyiv
office@vbr.com.ua
Tel +38 44 259 04 38

CHINA
AGRO (Shanghai) Electrical Products
Trading Co. Ltd., Shanghai
info@agro-electrical.cn
www.agro-electrical.cn
Tel +86 21 62825959

GREAT BRITAIN
M. Buttkeireit Limited, Cheshire
info@buttkeireit.co.uk
www.buttkeireit.co.uk
Tel +44 161 9695418

LITHUANIA
BOPLALIT UAB, Kaunas
info@boplalit.lt
www.boplalit.lt
Tel +370 37 298989

SLOVAK REPUBLIC
ELETECHNIK s.r.o.
www.eletechnik.sk
Tel +421 33 2337480

USA
Aeros USA, Harrisburg, PA
service@aerosusa.com
www.aerosusa.com
Tel +1 717 238 1444

CZECH REPUBLIC
Ex-Technik spol. s.r.o., Ostrava
technik@ex-technik.cz
www.ex-technik.cz
Tel +420 596 242 548

GREAT BRITAIN
OEM Automatic Ltd., Leicestershire
information@oem.co.uk
www.oem.co.uk
Tel +44 116 2849900

MALAYSIA
JJ-Lapp (M) Sdn. Bhd.
Selangor Darul Ehsan
sales_jjlm@jjsea.com
www.jj-lapp.com
Tel +603 50306322

SOUTH KOREA
SLT Corporation, Gyeonggi-Do
slt@sltco.co.kr
www.sltco.co.kr
Tel +82 31 776-4300

USA
Lapp USA, LLC., Florham Park, NJ
sales@lappusa.com
www.lappusa.com
Tel +1 800 774-3539
Tel +1 973 660-9700

CZECH REPUBLIC
SVK Elektronik, s.r.o., Praha
svk@svk.cz
www.svk.cz
Tel +420 2 81021305

HONG KONG
Logistic Indus. Supply Co. Ltd.
Hong Kong
info@logistic.hk
www.ilogistic.com.hk
Tel +852 27439110

NEW ZEALAND
Mardag Holdings Limited,
Wellington
info@mardag.co.nz
www.mardag.co.nz
Tel +64 4 237-8912

SPAIN
Gaestopas S.L, Hernani
gaestopas@gaestopas.com
www.gaestopas.com
Tel +34 943 376939

