



**SAFETY MOBILE
LADDER WITH**

**LATERAL
ACCESS**

The TRIAX safety mobile ladder protects the operator during his ascent to and his evolution on the dome thanks to its safety cage.

TRIAX PATENT

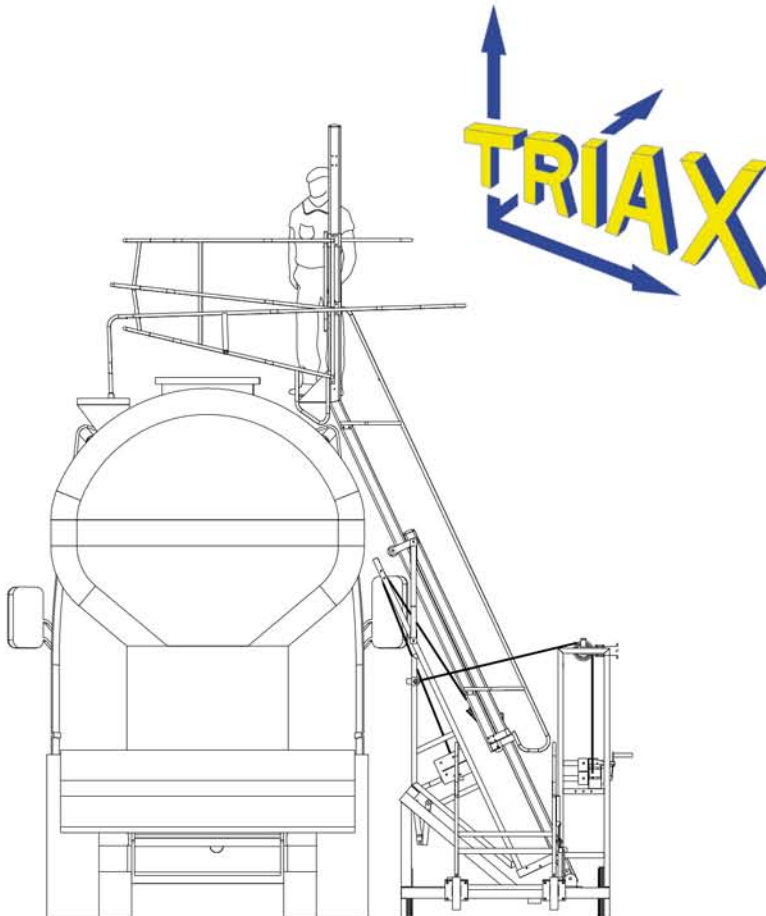
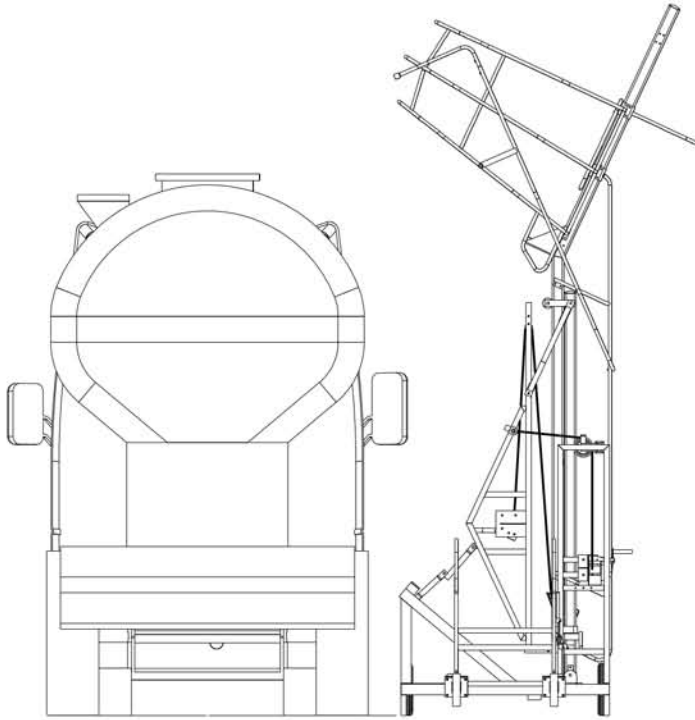
TRIAX

SAFETY HEIGHT PROTECTION www.triax-securite.com



TECHNICAL SPECIFICATIONS

SAFETY LADDER WITH LATERAL ACCESS



- TRIAX patent.
- Adjustable height from 2650 mm to 4400 mm.
- Tilting backwards by a winch system.
- Can be moved parallel to the vehicle in a limited space.

TRIAIX

**Z.A. - 67 rue des Vignes
F-45240 MARCILLY EN VILLETTE**

+33 (0)2 38 76 12 00

@ triax@trias-securite.com

www.triax-securite.com