

NODKA Shanghai

No.5, Shenwang Rd, Minhang Dist, Shanghai
Email: vikki@nodka.com
Mobile: +86 136 7156 0856

NODKA Suzhou

No. 480, Yinzang Road, Linhu Town, Wuzhong District, Suzhou City
Email: vikki@nodka.com
Mobile: +86 136 7156 0856
Tel: +86-512-66202700
Fax: +86-512-66203900

NODKA Europe

Luchthavenweg 81.212, 5657 EA Eindhoven, The Netherland
Email: wuyong@nodka.com
Mobile: +31(0) 6 2029 2256



Automation and Machine Vision Industry Industrial Computer Catalog

- Intergrated I/O, PoE Gigabit LAN, Light source control
- Make the system less complex and cost down

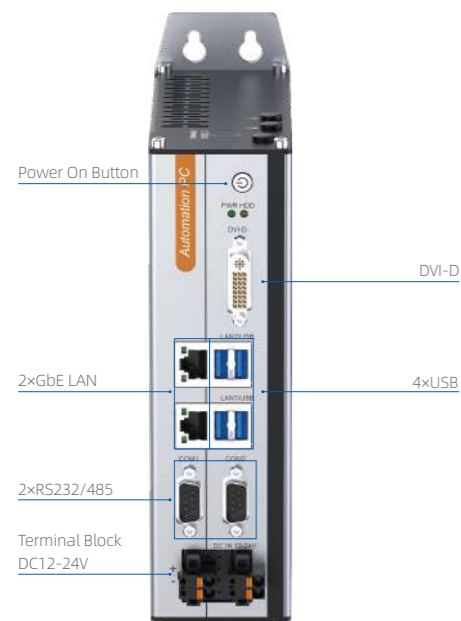
NP-6111 SERIES



Feature

- LAN**
 2xIntel® Gigabit ports
 Support EtherCAT and jumbo frames.
- COM**
 2xRS232/RS485, RS485 support auto flow control, ESD protection for RS232.
- Option different I/O ports and accept customized**
 Option different I/O board and ports
 Easy to change customized logo.
- Extremely space-saving and flexible**
 book style, wall mounted, din rail mounted
 extremely space-saving design.
- USB**
 4xUSB;
 1xUSB2.0 Type A onboard for dongle
- miniPCIe**
 1xminiPCIe slot for Wifi, 3G/4G
- Wide voltage power supply: DC12V~24V**
 DC12V power input, optional DC24V, with surge power, over voltage and reverse polarity protection, with phoenix terminal contact.
- Perfect cooling system design**
 Fully enclosed structure, fanless, cable-free design
 Working temperature: -20°C~60°C

I/O Port



miniPCIe Expansion Slot



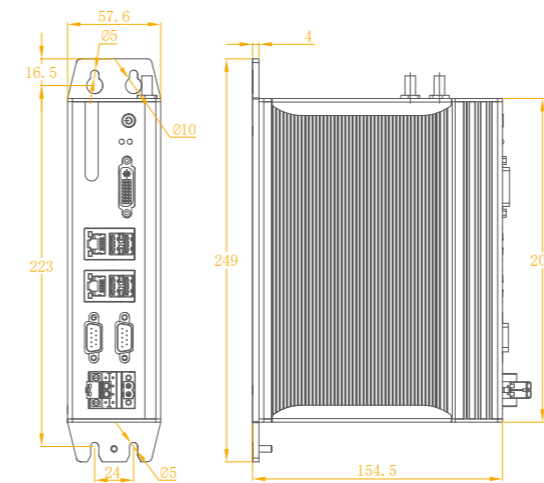
Easy to switch RS232/485

Internal USB2.0 for USB Dongle

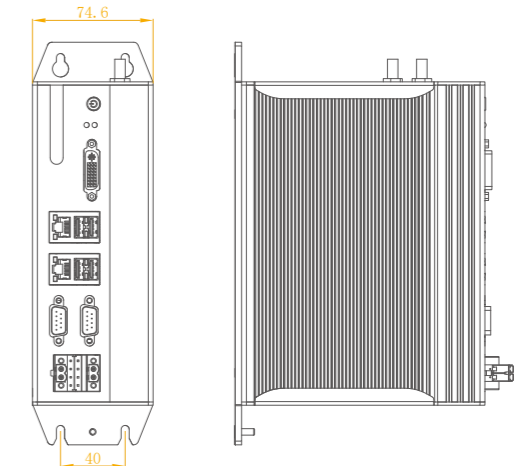


Customized Logo

Dimensions



BASIC (Unit: mm)



EXPANSION (Unit: mm)

Specifications

Model Name		NP-6111
System	CPU	Intel® Celeron® J1900 / J3455 / J6412 / Intel Atom® E3845
	CPU Specifications	2.0GHz, 4cores, 4threads, 2MB L2cache / 1.5GHz, 4cores, 4threads, 2MB L2cache 2.0GHz, 4cores, 4threads, 1.5MB L2cache / 1.91GHz, 4cores, 4threads, 2MB L2cache
	TDP	10W
	BIOS	AMI UEFI 64Mbit
	Memory	J1900/J3455/E3845: 1xSO-DIMM DDR3L-1333MHz, (Max.8GB) / J6412: 1xSO-DIMM DDR4-2400MHz(Max.16GB)
	Storage	1xmSATA bay
I/O	USB	4xUSB, 1xUSB2.0 Type A on the board for USB dongle
	COM	2xRS232/RS485, RS485 support auto flow control, ESD protection for RS232
	Ethernet	2xIntel GbE LAN controller
Display	DVI-D	Support up to 1920x1080
Expansions	Expansions	1xFull-size PCIe Mini slot with SIM card holder(with USB signal)
Other	Watch Dog	1~255 levels programmable
OS	Windows	Windows 7, Windows 7 Embedded, Windows 10 IoT
	Linux	Ubuntu, CentOS, Debian
Power	Voltage Input	DC12~24V±10%, overcurrent, overvoltage and polarity inverse protection, (Must be DC24V when using Light Control)
	Power Consumption	Basic:Max.45W/Expansion:Max.45~120W
Chassis	Structure	Aluminum-magnesium alloy box, Fanless, Wall-mounted or DIN-Rail
	Dimensions(LxWxH)	Basic:200mmx154.5mmx57.6mm/Expansion:200mmx154.5mmx74.6mm
Reliability	Work Temperature	-20°C ~ 60°C (-4°F~140°F) with air flow (SSD)
	Storage Temperature	-40°C ~ 80°C (-40°F~176°F) with air flow (SSD)
	Relative Humidity	5~95%(Non-condensing)
	Vibration	Operating Random Vibration Test 5~500Hz, 1.5Grms@with SSD, follow IEC 60068-2-64
	Operating Shock	Operating 20G peak acceleration (11 ms duration), follow IEC 60068-2-27
	EMC	CE/FCC Class A

Machine Vision application

NP-6111-JH2

Extension Interface

- 2xIntel® GbE PoE LAN, max. 15w per channel
- 4xPWM light control support external trigger input
- 8xDI NPN/PNP, isolated 2500 Vrms
- 8xDO, Transistor output, I_{max}:0.5A per channel, isolated 2500 Vrms



Smart Gateway application

NP-6111-JH4

Extension Interface

- 8xRS485, RS485 support auto flow control, there are two status leds for data sending and receiving in each channel, 120 ohm terminal resistor can be turned on or off by the switch.
- 8xDI NPN/PNP, isolated 2500 Vrms
- 4xRelay DO (Normally Open)



Machine Vision application

NP-6111-JH2B

Extension Interface

- 2xIntel® GbE PoE LAN, max. 15w per channel
- 16xDI NPN/PNP, isolated 2500 Vrms
- 16xDO, Transistor output, I_{max}:0.5A per channel, isolated 2500 Vrms

AGV and Service robots application

NP-6111-CAN2

Extension Interface

- 2xCAN Bus 2.0 A/B



Machine Vision application

NP-6111-JH3

Extension Interface

- 4xUSB2.0
- 2xRS232/485, RS485 support auto flow control
- 2xCAN2.0A/B
- 8xDI NPN/PNP, isolated 2500 Vrms
- 8xDO, Transistor output, I_{max}:0.5A per channel, isolated 2500 Vrms



Automation Control application

NP-6111-L2

Extension Interface

- 2xIntel® Gigabit ports



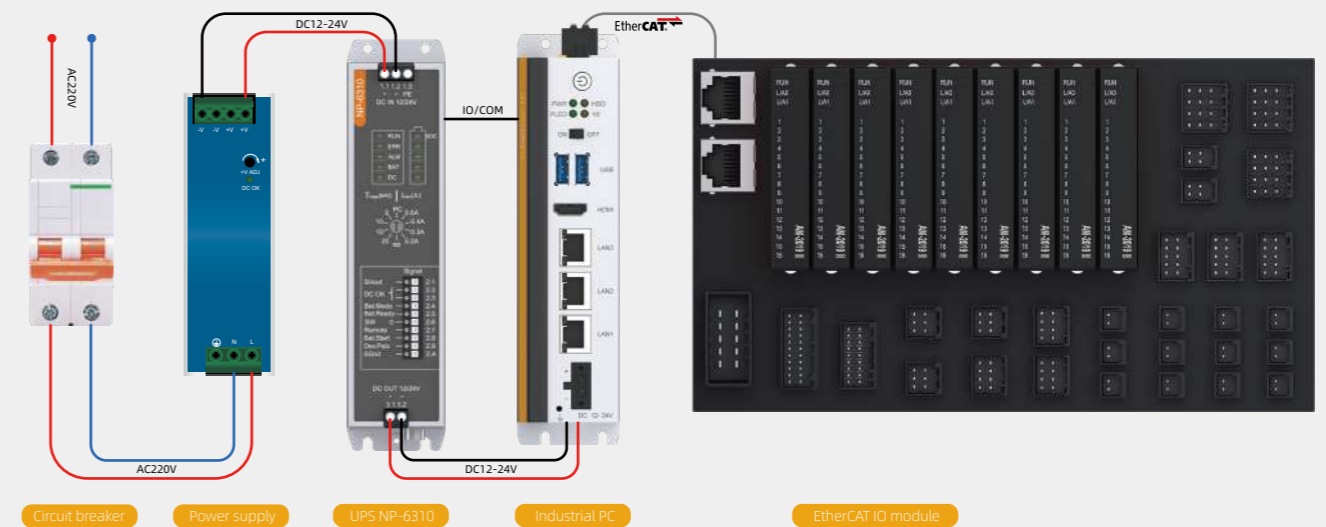
Ordering Information

Product Code	Configuration
NP-6111-J1900	CPU:j1900, RAM:NULL, mSATA:NULL, 2xCOM(RS232/485 selectable), 2xLAN, 1xUSB3.0, 3xUSB2.0, DVI-D, DC12~24V Power input
NP-6111-E3845	CPU:E3845, RAM:NULL, mSATA:NULL, 2xCOM(RS232/485 selectable), 2xLAN, 1xUSB3.0, 3xUSB2.0, DVI-D, DC12~24V Power input
NP-6111-J3455	CPU:j3455, RAM:NULL, mSATA:NULL, 2xCOM(RS232/485 selectable), 2xLAN, 2xUSB3.0, 2xUSB2.0, DVI-D, DC12~24V Power input
NP-6111-J6412	CPU:j6412, RAM:NULL, mSATA:NULL, 2xCOM(RS232/485 selectable), 2xLAN, 2xUSB3.0, 2xUSB2.0, DVI-D, DC12~24V Power input
NP-6111-JH2-J1900	CPU:j1900, RAM:NULL, mSATA:NULL, 2xCOM(RS232/485 selectable), 2xLAN, 1xUSB3.0, 3xUSB2.0, DVI-D, 2xPoE LAN, 8xDI, 8xDO, 4xPWM output, DC12~24V Power input(Must be DC24V when using Light Control)
NP-6111-JH2-E3845	CPU:E3845, RAM:NULL, mSATA:NULL, 2xCOM(RS232/485 selectable), 2xLAN, 1xUSB3.0, 3xUSB2.0, DVI-D, 2xPoE LAN, 8xDI, 8xDO, 4xPWM output, DC12~24V Power input(Must be DC24V when using Light Control)
NP-6111-JH2-J3455	CPU:j3455, RAM:NULL, mSATA:NULL, 2xCOM(RS232/485 selectable), 2xLAN, 1xUSB3.0, 3xUSB2.0, DVI-D, 2xPoE LAN, 8xDI, 8xDO, 4xPWM output, DC12~24V Power input(Must be DC24V when using Light Control)
NP-6111-JH2-J6412	CPU:j6412, RAM:NULL, mSATA:NULL, 2xCOM(RS232/485 selectable), 2xLAN, 1xUSB3.0, 3xUSB2.0, DVI-D, 2xPoE LAN, 8xDI, 8xDO, 4xPWM output, DC12~24V Power input(Must be DC24V when using Light Control)
NP-6111-JH2B-J1900	CPU:j1900, RAM:NULL, mSATA:NULL, 2xCOM(RS232/485 selectable), 2xLAN, 1xUSB3.0, 3xUSB2.0, DVI-D, 2xPoE LAN, 16xDI, 16xDO, DC12~24V Power input
NP-6111-JH2B-E3845	CPU:E3845, RAM:NULL, mSATA:NULL, 2xCOM(RS232/485 selectable), 2xLAN, 1xUSB3.0, 3xUSB2.0, DVI-D, 2xPoE LAN, 16xDI, 16xDO, DC12~24V Power input
NP-6111-JH2B-J3455	CPU:j3455, RAM:NULL, mSATA:NULL, 2xCOM(RS232/485 selectable), 2xLAN, 1xUSB3.0, 3xUSB2.0, DVI-D, 2xPoE LAN, 16xDI, 16xDO, DC12~24V Power input
NP-6111-JH2B-J6412	CPU:j6412, RAM:NULL, mSATA:NULL, 2xCOM(RS232/485 selectable), 2xLAN, 1xUSB3.0, 3xUSB2.0, DVI-D, 2xPoE LAN, 16xDI, 16xDO, DC12~24V Power input
NP-6111-JH3-J1900	CPU:j1900, RAM:NULL, mSATA:NULL, 4xCOM(RS232/485 selectable), 2xLAN, 1xUSB3.0, 7xUSB2.0, DVI-D, 8xDI, 8xDO, DC12~24V Power input
NP-6111-JH3-E3845	CPU:E3845, RAM:NULL, mSATA NULL, 4xCOM(RS232/485 selectable), 2xLAN, 1xUSB3.0, 7xUSB2.0, DVI-D, 8xDI, 8xDO, DC12~24V Power input
NP-6111-JH3-J3455	CPU:j3455, RAM:NULL, mSATA:NULL, 4xCOM(RS232/485 selectable), 2xLAN, 1xUSB3.0, 7xUSB2.0, DVI-D, 8xDI, 8xDO, DC12~24V Power input
NP-6111-JH3-J6412	CPU:j6412, RAM:NULL, mSATA:NULL, 4xCOM(RS232/485 selectable), 2xLAN, 1xUSB3.0, 7xUSB2.0, DVI-D, 8xDI, 8xDO, DC12~24V Power input
NP-6111-JH4-J1900	CPU:j1900, RAM:NULL, mSATA:NULL, 2xCOM(RS232/485 selectable), 8xRS485(Phoenix connectors), 2xLAN, 1xUSB3.0, 3xUSB2.0, DVI-D, 8xDI, 4x Relay output, DC12~24V Power input
NP-6111-JH4-E3845	CPU:E3845, RAM:NULL, mSATA:NULL, 2xCOM(RS232/485 selectable), 8xRS485(Phoenix connectors), 2xLAN, 1xUSB3.0, 3xUSB2.0, DVI-D, 8xDI, 4x Relay output, DC12~24V Power input
NP-6111-JH4-J3455	CPU:j3455, RAM:NULL, mSATA:NULL, 2xCOM(RS232/485 selectable), 8xRS485(Phoenix connectors), 2xLAN, 1xUSB3.0, 3xUSB2.0, DVI-D, 8xDI, 4x Relay output, DC12~24V Power input
NP-6111-CAN2-J1900	CPU:j1900, RAM:NULL, mSATA:NULL, 2xCOM(RS232/485 selectable), 2xLAN, 1xUSB3.0, 3xUSB2.0, 2xCAN总线, DVI-D, DC12~24V Power input
NP-6111-CAN2-E3845	CPU:E3845, RAM:NULL, mSATA:NULL, 2xCOM(RS232/485 selectable), 2xLAN, 1xUSB3.0, 3xUSB2.0, 2xCAN总线, DVI-D, DC12~24V Power input
NP-6111-CAN2-J3455	CPU:j3455, RAM:NULL, mSATA:NULL, 2xCOM(RS232/485 selectable), 2xLAN, 1xUSB3.0, 3xUSB2.0, 2xCAN总线, DVI-D, DC12~24V Power input
NP-6111-CAN2-J6412	CPU:j6412, RAM:NULL, mSATA:NULL, 2xCOM(RS232/485 selectable), 2xLAN, 1xUSB3.0, 3xUSB2.0, 2xCAN总线, DVI-D, DC12~24V Power input
NP-6111-L2-J1900	CPU:j1900, RAM:NULL, mSATA:NULL, 2xCOM(RS232/485 selectable), 4xLAN, 1xUSB3.0, 3xUSB2.0, DVI-D, DC12~24V Power input
NP-6111-L2-E3845	CPU:jE3845, RAM:NULL, mSATA:NULL, 2xCOM(RS232/485 selectable), 4xLAN, 1xUSB3.0, 3xUSB2.0, DVI-D, DC12~24V Power input
NP-6111-L2-J3455	CPU:j3455, RAM:NULL, mSATA:NULL, 2xCOM(RS232/485 selectable), 4xLAN, 1xUSB3.0, 3xUSB2.0, DVI-D, DC12~24V Power input
NP-6111-L2-J6412	CPU:j6412, RAM:NULL, mSATA:NULL, 2xCOM(RS232/485 selectable), 4xLAN, 1xUSB3.0, 3xUSB2.0, DVI-D, DC12~24V Power input

Option items

Parts	Description
DDR3L Memory	DDR3L-1333MHz: 4GB, 8GB
DDR4 Memory	DDR4-2400MHz: 4GB, 8GB, 16GB
mSATA SSD	64GB, 128GB, 256GB, 512GB, 1TB
Wifi Set	miniPCIE WIFI Set (7260 series) ,Cylindrical antenna
3G/4GModule	mini PCIE: EC20, EG25, EC25
Mount Option	DIN-Rail, Wall-mounted

Industrial PC Solution for Automation Control



Product Feature:

1. NP Series Automation PC-Design for controller application.
2. UPS NP-6310 - Keep your system and data safe.
3. EtherCAT IO - Greater flexibility and Cut installation times by 95%.

NP-6113 SERIES

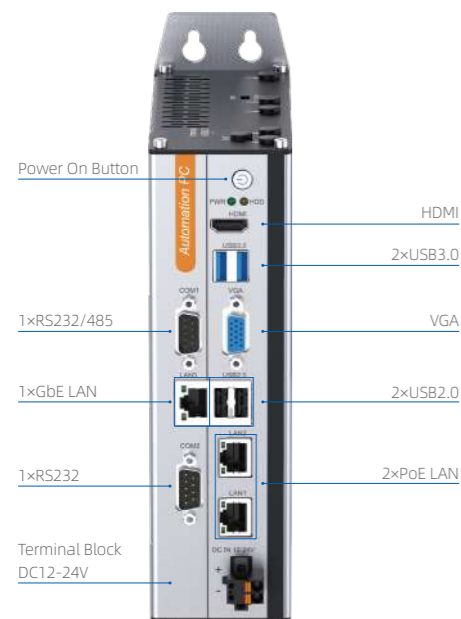


Feature

- LAN**
 2xIntel® Gigabit ports
 1xRTL8111H Gigabit ports
- COM**
 1xRS232/RS485, RS485 support auto flow control,
 1xRS232
- Display**
 VGA and HDMI display port
- Option different I/O ports and accept customized**
 Option different I/O board and ports
 Easy to change customized logo.

- USB**
 2xUSB3.0, 2xUSB2.0,
 1xUSB2.0 Type A onboard for dongle
- miniPCle**
 1xminiPCle slot for Wifi, 3G/4G
- Wide voltage power supply: DC12V~24V**
 DC12V power input, optional DC24V, with surge power,
 over voltage and reverse polarity protection,
 with phoenix terminal contact.
- Perfect cooling system design**
 Fully enclosed structure, fanless, cable-free design.
 Working temperature: -20°C~60°C

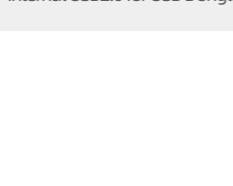
I/O Port



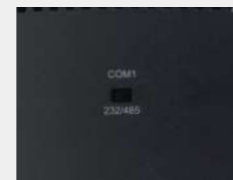
miniPCle Expansion Slot



Easy to switch RS232/485



Internal USB2.0 for USB Dongle

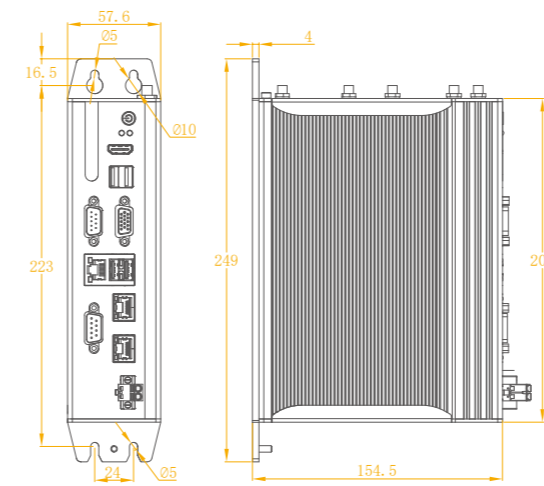


Customized Logo

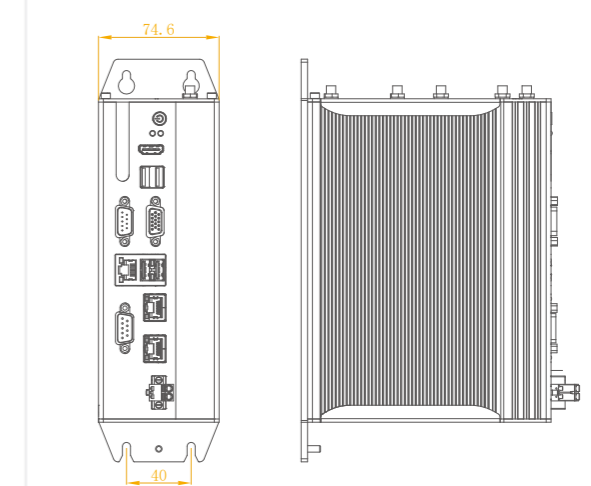


Customized Logo

Dimensions



BASIC (Unit: mm)



EXPANSION (Unit: mm)

Specifications

Model Name		NP-6113
System	CPU	Intel® Celeron® J6412, 2.0GHz, 4cores, 4threads, 1.5MB L2 cache
	TDP	10W
	BIOS	AMI UEFI 64Mbit
	Memory	1xSO-DIMM DDR4-2400MHz(Max. 32GB)
	Storage	1xmSATA bay
I/O	USB	2xUSB3.0, 2xUSB2.0, 1xUSB2.0 Type A on the board for USB dongle
	COM	1xRS232/485, selectable to support RS232 or RS485 mode by the switch, 1xRS232
	PoE	2xIntel GbE LAN controller
	Ethernet	1xRTL8111H GbE LAN controller
Display	VGA	Support up to 1920x1080 @60Hz
	HDMI	Support up to 3840x2160 @60Hz
Expansions	Expansions	1xFull-size PCIe Mini slot with SIM card holder(with USB signal)
Other	Watch Dog	1~255 levels programmable
	Remote ON-OFF	1xRemote ON-OFF
OS	Windows	Windows 7m Windows 7 Embedded, Windows 10 IoT
	Linux	Ubuntu, CentOS, Debian
Power	Voltage Input	DC12~24V ±10%, overcurrent, overvoltage and polarity inverse protection (Must be DC24V when using Light Control)
	Power Consumption	Basic: Max. 90W/ Expansion: Max.90~120W
Chassis	Structure	Aluminum-magnesium alloy box, Fanless, Wall-mounted or DIN-Rail
	Dimensions(LxWxH)	Basic: 200mmx154.5mmx57.6mm/Expansion: 200mmx154.5mmx74.6mm
Reliability	Work Temperature	-20°C ~ 60°C (-4°F~140°F) with air flow (SSD)
	Storage Temperature	-40°C ~ 80°C (-40°F ~ 176°F) with air flow (SSD)
	Relative Humidity	5~95%(Non-condensing)
	Vibration	Operating Random Vibration Test 5~500Hz, 1.5Grms@with SSD, follow IEC 60068-2-64
	Operating Shock	Operating 20G peak acceleration (11ms duration), follow IEC 60068-2-27
EMC		CE/FCC Class A

NP-6113 SERIES



Machine Vision application

NP-6113-MVS

Extension Interface

- 4xPWM light control
- 8xDI, isolated 3750Vrms
- 8xDO, Transistor output, I_{max}:0.5A per channel, isolated3750Vrms



Option items

Parts	Description
DDR4 Memory	DDR4-2400MHz: 4GB, 8GB, 16GB, 32GB
mSATA SSD	64GB, 128GB, 256GB, 512GB, 1TB
Wifi Set	miniPCIE WIFI Set (7260 series) ,Cylindrical antenna
3G/4G Module	mini PCIE: EC20, EG25, EC25
Mount Option	DIN-Rail, Wall-mounted



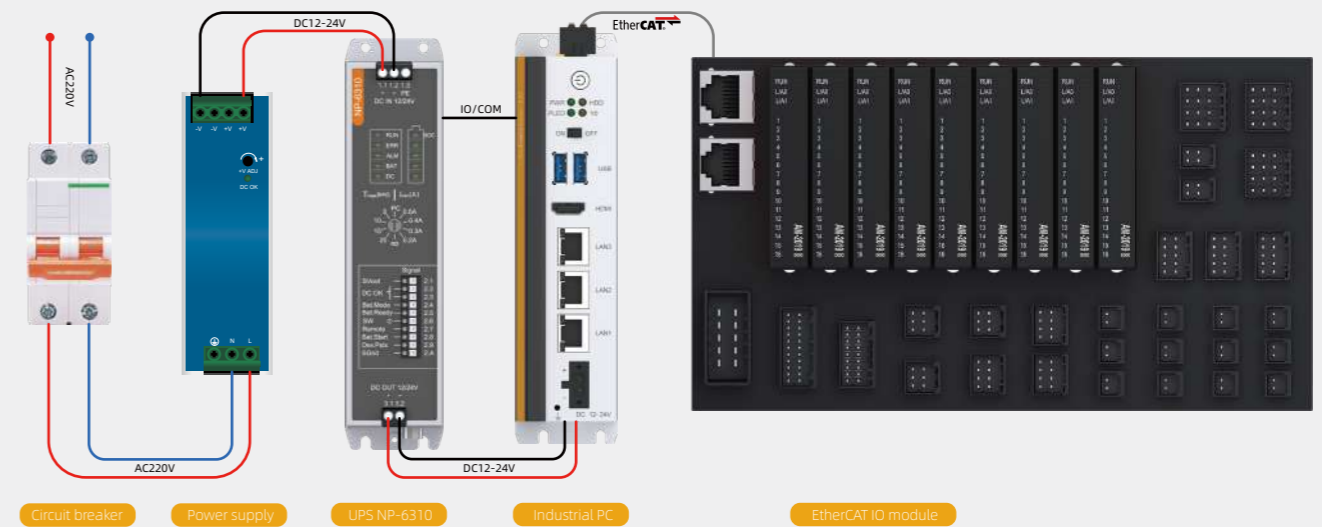
Machine Vision and Automation Control application

NP-6113-16I160

Extension Interface

- 16xDI NPN/PNP, isolated 3750Vrms
- 16xDO (NPN/PNP mode by the switch), I_{max}:0.5A per channel, isolated 3750Vrms

Industrial PC Solution for Automation Control



Ordering Information

Product Code	Description
NP-6113-J6412	CPU:J6412, ,RAM:NULL, mSATA:NULL, 1xRS232/485, 1xRS232, 2xPoE LAN, 1xLAN, 2xUSB3.0, 2xUSB2.0, VGA/HDMI display port, DC12~24V Power input
NP-6113-MVS-J6412	CPU:J6412, ,RAM:NULL, mSATA:NULL, 1xRS232/485, 1xRS232, 2xPoE LAN, 1xLAN, 2xUSB3.0, 2xUSB2.0, 8xDI, 8xDO, 4xPWM output, VGA/HDMI display port, DC12~24V Power input(Must be DC24V when using Light Control)
NP-6113-16I160-J6412	CPU:J6412, ,RAM:NULL, mSATA:NULL, 1xRS232/485, 1xRS232, 2xPoE LAN, 1xLAN, 2xUSB3.0, 2xUSB2.0, 16xDI, 16xDO, VGA/HDMI display port, DC12~24V Power input

Product Feature :

1. NP Series Automation PC-Design for controller application.
2. UPS NP-6310 - Keep your system and data safe.
3. EtherCAT IO - Greater flexibility and Cut installation times by 95%.

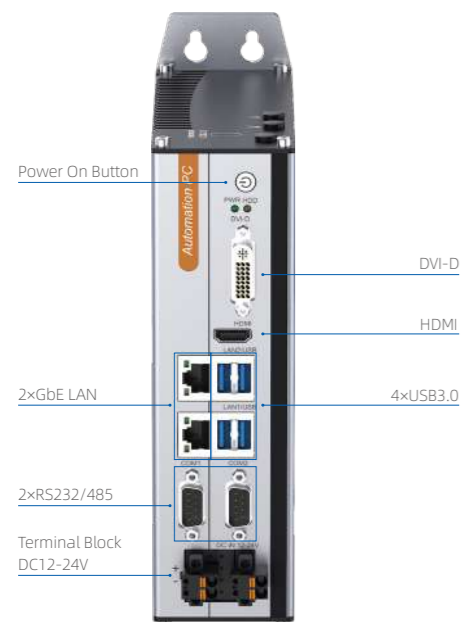
NP-6122/6132 SERIES



Feature

- LAN**
 2xIntel® Gigabit ports
 Support EtherCAT and jumbo frames
- COM**
 2xRS232/RS485, RS485 support auto flow control
- miniPCIe**
 1xminiPCIe slot for Wifi, 3G/4G
- Option different I/O ports and accept customized**
 Option different I/O board and ports
 Easy to change customized logo
- USB**
 4xUSB3.0
 1xUSB2.0 Type A onboard for dongle
- Display**
 DVI-D and HDMI display port
- Wide voltage power supply: DC12V~24V**
 DC12V power input, optional DC24V, with surge power, over voltage and reverse polarity protection, with phoenix terminal contact.
- Perfect cooling system design**
 Fully enclosed structure, separately space for fan cooling system, cable-free design
 Working temperature: -20°C~60°C

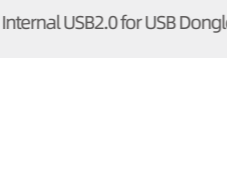
I/O Port



miniPCIE Expansion Slot



Easy to switch RS232/485

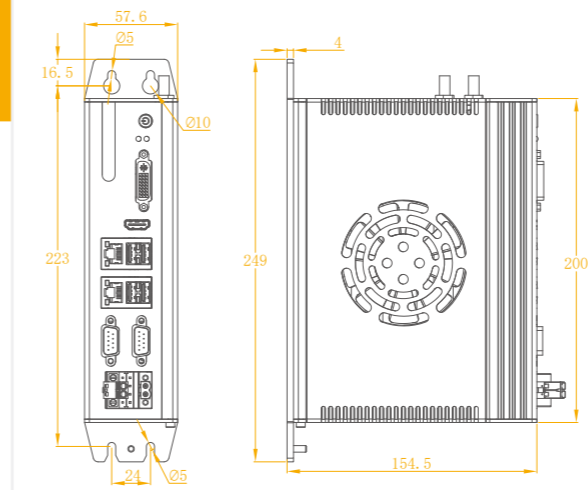


Internal USB2.0 for USB Dongle

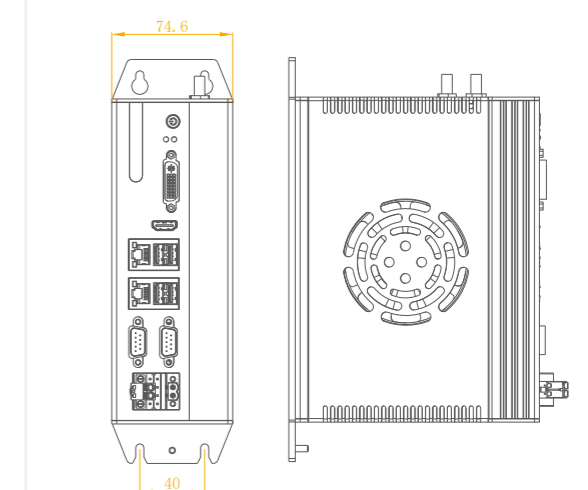


Customized Logo

Dimensions



BASIC (Unit: mm)



EXPANSION (Unit: mm)

Specifications

Model Name		NP-6122	NP-6132
System	CPU	Intel® Core™ 6/7/8/9th Gen. i7/i5/i3/Pentium® /Celeron® LGA1151 type CPU	Intel® Core™ 10/11th Gen. i9/ i7/i5/i3 LGA1200 type CPU
	TDP	Max. 65W	
	BIOS	AMI UEFI 64Mbit	
	Memory	2xSO-DIMM DDR4-2400MHz, max up to 32GB	
	Storage	1xmSATA bay, 1xM.2(B Key, Type 2280) bay support SATA	
I/O	USB	4xUSB3.0, 1xUSB2.0 Type A on the board for USB dongle	
	COM	2xRS232/RS485, RS485 support auto flow control, ESD protection for RS232	
	Ethernet	2xIntel GbE LAN controller	
Display	DVI-D	Support up to 1920x1080	
	HDMI	Support up to 3840x2160	
Expansions	Expansions	1x Full-size PCIe Mini slot with SIM card holder(with USB signal)	
Other	Watch Dog	1~255 levels programmable	
OS	Windows	Windows 10 IoT	
	Linux	Ubuntu, CentOS, Debian	
Power	Voltage Input	DC12~24V ±10%, overcurrent, overvoltage and polarity inverse protection, (Must be DC24V when using Light Control)	
	Power Consumption	Basic: Max. 120W/Expansion: Max. 120~250W	
Chassis	Structure	Aluminum-magnesium alloy BOX with fan embedded to assist cooling, Wall-mounted or DIN-Rail fixing style	
	Dimensions(LxWxH)	Basic:200mmx154.5mmx57.6mm/Expansion:200mmx154.5mmx74.6mm	
Reliability	Work Temperature	-20°C ~ 60°C (-4°F~140°F) with air flow (SSD)	
	Storage Temperature	-40°C ~ 80°C (-40°F~176°F) with air flow (SSD)	
	Relative Humidity	5~95%(Non-condensing)	
	Vibration	Operating Random Vibration Test 5~500Hz, 1.5Grms@with SSD, follow IEC 60068-2-64	
	Operating Shock	Operating 20G peak acceleration (11ms duration), follow IEC 60068-2-27	
	EMC	CE/FCC Class A	

Machine Vision application
NP-6122-H1 & NP-6132-H1

Extension Interface

- 4xIntel® GbE PoE LAN, max. 15w per channel
- 8xDI NPN/PNP, isolated 2500 Vrms
- 8xDO Transistor output, I_{max}:0.5A per channel, isolated 2500 Vrms
- 4xPWM Light power control with external trigger input, I_{max}: 1A per channel



Automatic Sorting System Based on Machine Vision
NP-6122-JH2B & NP-6132-JH2B

Extension Interface

- 2xIntel® GbE PoE LAN, max. 15w per channel
- 16xDI NPN/PNP, isolated 2500Vrms
- 16xDO Transistor output, I_{max}:0.5A per channel, isolated 2500 Vrms



Automatic Sorting System Based on Machine Vision
NP-6122-H1B & NP-6132-H1B

Extension Interface

- 4xIntel® GbE PoE LAN, max. 15w per channel
- 16xDI NPN/PNP, isolated 2500Vrms
- 16xDO Transistor output, I_{max}:0.5A per channel, isolated 2500 Vrms

AGV and Service robots application
NP-6122-JH3 & NP-6132-JH3

Extension Interface

- 4xUSB2.0
- 2xRS232/485, RS485 support auto flow control
- 2xCAN Bus 2.0A/B, 1 x DB9(Female)
- 8xDI NPN/PNP, isolated 2500Vrms
- 8xDO Transistor output, I_{max}:0.5A per channel, isolated 2500 Vrms



Machine Vision application
NP-6122-JH2 & NP-6132-JH2

Extension Interface

- 2xIntel® GbE PoE LAN, max. 15w per channel
- 8xDI NPN/PNP, isolated 2500Vrms
- 8xDO Transistor output, I_{max}:0.5A per channel, isolated 2500 Vrms
- 4xPWM Light power control with external trigger input, I_{max}: 1A per channel



Intelligent Gateway Industry application
NP-6122-JH4 & NP-6132-JH4

Extension Interface

- 8xRS485, RS485 support auto flow control, there are two status leds for data sending and receiving in each channel, 120ohm terminal resistor can be turned on or off by the switch.
- 8xDI NPN/PNP, isolated 2500Vrms
- 4xRelay DO(Normally Open)



NP-6122/6132 SERIES



Guidance and Positioning Based on Machine Vision

NP-6122-8PoE & NP-6132-8PoE

Extension Interface

- 8xIntel® GbE PoE LAN controller, max. 15W per channel



AGV and Service robots application

NP-6122-CAN2 & NP-6132-CAN2

Extension Interface

- 2xCAN Bus 2.0 A/B

Automation Control application

NP-6122-L2 & NP-6132-L2

Extension Interface

- 2xIntel® Gigabit ports



Ordering Information

Product Code	Configuration
NP-6122	CPU:NULL, RAM:NULL, mSATA:NULL, M.2 SATA:NULL, 2xRS232/485(selectable), 2xLAN, 4xUSB3.0, DVI-D/HDMI, DC12~24V Power input
NP-6132	CPU:NULL, RAM:NULL, mSATA:NULL, M.2 SATA:NULL, 2xRS232/485(selectable), 2xLAN, 4xUSB3.0, DVI-D/HDMI, DC12~24V Power input
NP-6122-H1	CPU:NULL, RAM:NULL, mSATA:NULL, M.2 SATA:NULL, 2xRS232/485(selectable), 2xLAN, 4xUSB3.0, DVI-D/HDMI, 8xDI, 8xDO, 4xPWM Light control, 4x External trigger input, 4xPoE LAN, DC12~24V Power input(must be DC24V input when using Light control)
NP-6132-H1	CPU:NULL, RAM:NULL, mSATA:NULL, M.2 SATA:NULL, 2xRS232/485(selectable), 2xLAN, 4xUSB3.0, DVI-D/HDMI, 8xDI, 8xDO, 4xPWM Light control, 4x External trigger input, 4xPoE LAN, DC12~24V Power input(must be DC24V input when using Light control)
NP-6122-H1B	CPU:NULL, RAM:NULL, mSATA:NULL, M.2 SATA:NULL, 2xRS232/485(selectable), 2xLAN, 4xUSB3.0, DVI-D/HDMI, 16xDI, 16xDO, 4xPoE LAN, DC12~24V Power input
NP-6132-H1B	CPU:NULL, RAM:NULL, mSATA:NULL, M.2 SATA:NULL, 2xRS232/485(selectable), 2xLAN, 4xUSB3.0, DVI-D/HDMI, 16xDI, 16xDO, 4xPoE LAN, DC12~24V Power input
NP-6122-JH2	CPU:NULL, RAM:NULL, mSATA:NULL, M.2 SATA:NULL, 2xRS232/485(selectable), 2xLAN, 4xUSB3.0, DVI-D/HDMI, 8xDI, 8xDO, 4xPWM Light control, 4x External trigger input, 2xPoE LAN, DC12~24V Power input(must be DC24V input when using Light control)
NP-6132-JH2	CPU:NULL, RAM:NULL, mSATA:NULL, M.2 SATA:NULL, 2xRS232/485(selectable), 2xLAN, 4xUSB3.0, DVI-D/HDMI, 8xDI, 8xDO, 4xPWM Light control, 4x External trigger input, 2xPoE LAN, DC12~24V Power input(must be DC24V input when using Light control)
NP-6122-JH2B	CPU:NULL, RAM:NULL, mSATA:NULL, M.2 SATA:NULL, 2xRS232/485(selectable), 2xLAN, 4xUSB3.0, DVI-D/HDMI, 16xDI, 16xDO, 2xPoE LAN, DC12~24V Power input
NP-6132-JH2B	CPU:NULL, RAM:NULL, mSATA:NULL, M.2 SATA:NULL, 2xRS232/485(selectable), 2xLAN, 4xUSB3.0, DVI-D/HDMI, 16xDI, 16xDO, 2xPoE LAN, DC12~24V Power input
NP-6122-JH3	CPU:NULL, RAM:NULL, mSATA:NULL, M.2 SATA:NULL, 4xRS232/485(selectable), 2xLAN, 4xUSB3.0, 4xUSB2.0, DVI-D/HDMI, 8xDI, 8xDO, DC12~24V Power input
NP-6122-JH3-Audio	CPU:NULL, RAM:NULL, mSATA:NULL, M.2 SATA:NULL, 4xRS232/485(selectable), 2xLAN, 4xUSB3.0, 4xUSB2.0, DVI-D/HDMI, 8xDI, 8xDO, 1xLineout, DC12~24V Power input
NP-6132-JH3	CPU:NULL, RAM:NULL, mSATA:NULL, M.2 SATA:NULL, 4xRS232/485(selectable), 2xLAN, 4xUSB3.0, 4xUSB2.0, DVI-D/HDMI, 8xDI, 8xDO, DC12~24V Power input
NP-6132-JH3-Audio	CPU:NULL, RAM:NULL, mSATA:NULL, M.2 SATA:NULL, 4xRS232/485(selectable), 2xLAN, 4xUSB3.0, 4xUSB2.0, DVI-D/HDMI, 8xDI, 8xDO, 1xLineout, DC12~24V Power input
NP-6122-JH4	CPU:NULL, RAM:NULL, mSATA:NULL, M.2 SATA:NULL, 2xRS232/485(selectable), 8xRS485, 2xLAN, 4xUSB3.0, DVI-D/HDMI, 8xDI, 4xRelay DO, DC12~24V Power input
NP-6132-JH4	CPU:NULL, RAM:NULL, mSATA:NULL, M.2 SATA:NULL, 2xRS232/485(selectable), 8xRS485, 2xLAN, 4xUSB3.0, DVI-D/HDMI, 8xDI, 4xRelay DO, DC12~24V Power input
NP-6122-8POE	CPU:NULL, RAM:NULL, mSATA:NULL, M.2 SATA:NULL, 2xRS232/485(selectable), 2xLAN, 4xUSB3.0, DVI-D/HDMI, 8xPoE LAN, DC12~24V Power input
NP-6132-8POE	CPU:NULL, RAM:NULL, mSATA:NULL, M.2 SATA:NULL, 2xRS232/485(selectable), 2xLAN, 4xUSB3.0, DVI-D/HDMI, 8xPoE LAN, DC12~24V Power input
NP-6122-CAN2	CPU:NULL, RAM:NULL, mSATA:NULL, M.2 SATA:NULL, 2xRS232/485(selectable), 2xLAN, 4xUSB3.0, 2xCAN2.0A/B, DVI-D/HDMI, DC12~24V Power input
NP-6132-CAN2	CPU:NULL, RAM:NULL, mSATA:NULL, M.2 SATA:NULL, 2xRS232/485(selectable), 2xLAN, 4xUSB3.0, 2xCAN2.0A/B, DVI-D/HDMI, DC12~24V Power input
NP-6122-L2	CPU:NULL, RAM:NULL, mSATA:NULL, M.2 SATA:NULL, 2xRS232/485(selectable), 4xLAN, 4xUSB3.0, DVI-D/HDMI, DC12~24V Power input
NP-6132-L2	CPU:NULL, RAM:NULL, mSATA:NULL, M.2 SATA:NULL, 2xRS232/485(selectable), 4xLAN, 4xUSB3.0, DVI-D/HDMI, DC12~24V Power input

Option items

Parts	Description
CPU	Intel® Pentium®: G3900,G4400 Intel® Core™ Skylake: i3-6100, i3-6100T, i5-6400, i5-6400T, i5-6500, i5-6500T, i7-6700, i7-6700T Intel® Core™ Kaby Lake: i3-7100, i5-7400, i5-7500, i7-7700, i7-7700T Intel® Core™ Coffee Lake: i3-8100, i5-8400, i5-8500, i7-8700 Intel® Core™ Comet lake: i3-10100T, i3-10100, i3-10105T, i3-10105, i5-10400T, i5-10400, i5-10500 Intel® Core™ Rocket lake: i5-11400T, i5-11500T, i5-11600T, i5-11400, i5-11500, i5-11600
DDR4 Memory	DDR4-2400MHz: 4GB, 8GB, 16GB
mSATA SSD	64GB, 128GB, 256GB, 512GB, 1TB
M.2 SATA SSD	128GB, 256GB, 512GB, 1TB, 2TB
Wifi Set	miniPCIe WIFI Set (7260 series), Cylindrical antenna
3G/4G Module	mini PCIe: EC20, EG25, EC25
Mount Option	DIN-Rail, Wall-mounted

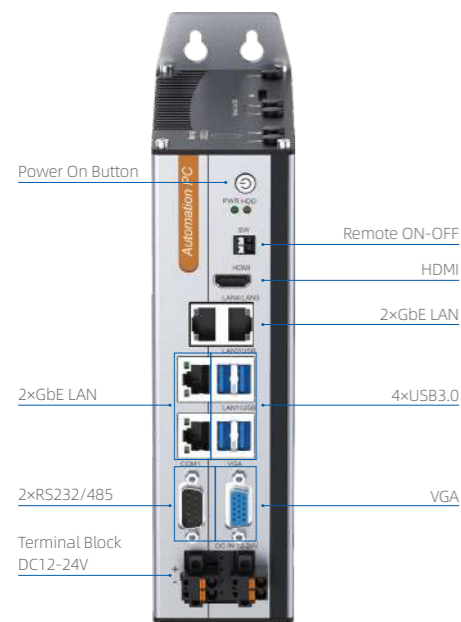
NP-6123/6133 SERIES



Feature

- LAN**
 4×Intel® Gigabit ports
 Support EtherCAT and jumbo frames
- COM**
 1×RS232/RS485, RS485 support auto flow control
- miniPCIe**
 2×miniPCIe slot for Wifi, 3G/4G/5G, LAN
- Option different I/O ports and accept customized**
 Option different I/O board and ports
 Easy to change customized logo
- USB**
 4×USB3.0
 1×USB2.0 Type A onboard for dongle
- Display**
 VGA and HDMI display port
- Wide voltage power supply: DC12V~24V**
 DC12V power input, optional DC24V, with surge power, over voltage and reverse polarity protection, with phoenix terminal contact.
- Perfect cooling system design**
 Fully enclosed structure, separately space for fan cooling system, cable-free design
 Working temperature: -20°C~60°C

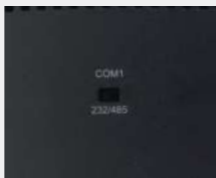
I/O Port



miniPCIe Expansion Slot



Internal USB2.0 for USB Dongle

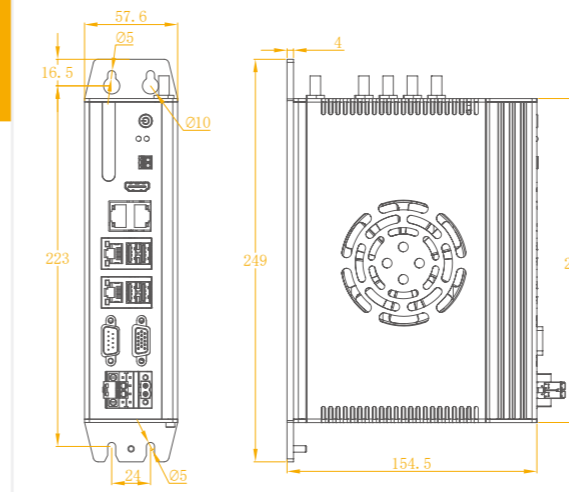


Easy to switch RS232/485

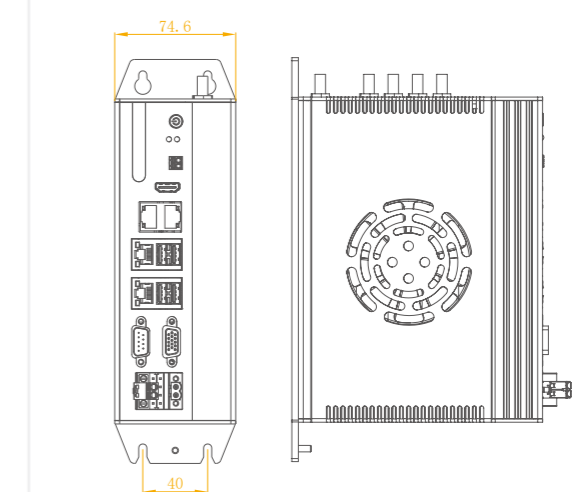


Customized Logo

Dimensions



BASIC (Unit: mm)



EXPANSION (Unit: mm)

Specifications

Model Name		NP-6123	NP-6133
System	CPU	Intel® Core™ 6/7/8/9th Gen. i7/i5/i3/Pentium® /Celeron® LGA1151 type CPU	Intel® Core™ 10/11th Gen. i9/ i7/i5/i3 LGA1200 type CPU
	TDP	Max. 65W	
	BIOS	AMI UEFI 64Mbit	
	Memory	2×SO-DIMM DDR4-2400MHz, max up to 32GB	
	Storage	1×mSATA bay	
I/O	USB	4×USB3.0, 1×USB2.0 Type A on the board for USB dongle	
	COM	1×RS232/RS485, RS485 support auto flow control, ESD protection for RS232	
	Ethernet	4×Intel GbE LAN controller	
Display	VGA	Support up to 1920×1200	
	HDMI	Support up to 3840×2160	
Expansions	Expansions	2×Full-size PCIe Mini slot with SIM card holder(with USB signal)	
Other	Watch Dog	1~255 levels programmable	
	Remote ON-OFF	1×Remote ON-OFF	
OS	Windows	Windows 10 IoT	
	Linux	Ubuntu, CentOS, Debian	
Power	Voltage Input	DC12~24V ±10%, overcurrent, overvoltage and polarity inverse protection, (Must be DC24V when using Light Control)	
	Power Consumption	Basic: Max. 120W/Expansion: Max. 200W	
Chassis	Structure	Aluminum-magnesium alloy BOX with fan embedded to assist cooling, Wall-mounted or DIN-Rail fixing style	
	Dimensions(L×W×H)	Basic:200mm×154.5mm×57.6mm/Expansion:200mm×154.5mm×74.6mm	
Reliability	Work Temperature	-20°C ~ 60°C (-4°F~140°F) with air flow (SSD)	
	Storage Temperature	-40°C ~ 80°C (-40°F~176°F) with air flow (SSD)	
	Relative Humidity	5~95%(Non-condensing)	
	Vibration	Operating Random Vibration Test 5~500Hz, 1.5Grms@with SSD, follow IEC 60068-2-64	
	Operating Shock	Operating 20G peak acceleration (11ms duration), follow IEC 60068-2-27	
EMC	CE/FCC Class A		

Machine Vision and Automation Control application NP-6123-L4 & NP-6133-L4

Extension Interface

- 4xIntel® GbE LAN controller(Occupies 2xminiPCIe slots)
- 1xRS485, RS485 support auto flow control
- 8xDI NPN/PNP, isolated 2500 Vrms
- 8xDO Transistor output, I_{max}:0.5A per channel, isolated 2500 Vrms
- 1x2.5" SATA SSD bay



Automation Control application NP-6123-16I160 & NP-6133-16I160

Extension Interface

- 1xIntel® GbE LAN controller(Optional)
- 16xDI NPN/PNP, isolated 2500 Vrms
- 16xDO Transistor output, I_{max}:0.5A per channel, isolated 2500 Vrms



Machine Vision application NP-6123-MVS & NP-6133-MVS

Extension Interface

- 1xRS485, RS485 support auto flow control
- 8xDI NPN/PNP, isolated 2500 Vrms
- 8xDO Transistor output, I_{max}:0.5A per channel, isolated 2500 Vrms
- 4xPWM Light power control with external trigger input, I_{max}: 1A per channel
- 1x2.5" SATA SSD bay

Automation Control application NP-6123-L2 & NP-6133-L2

Extension Interface

- 2xIntel® GbE LAN controller(Occupies 1xminiPCIe slot)
- 1x2.5" SATA SSD bay



Machine Vision application NP-6123-MVS-L1 & NP-6133-MVS-L1

Extension Interface

- 1xIntel® GbE LAN controller(Occupies 1xminiPCIe slot)
- 1xRS485, RS485 support auto flow control
- 8xDI NPN/PNP, isolated 2500 Vrms
- 8xDO Transistor output, I_{max}:0.5A per channel, isolated 2500 Vrms
- 4xPWM Light power control with external trigger input, I_{max}: 1A per channel
- 1x2.5" SATA SSD bay



Automation Control application NP-6123-HDD & NP-6133-HDD

Extension Interface

- 1x2.5" SATA SSD bay

Ordering Information

Product Code	Configuration
NP-6123	CPU:NULL, RAM:NULL, mSATA:NULL, 1xRS232/485(selectable), 4xLAN, 4xUSB3.0, VGA/HDMI, DC12~24V Power input
NP-6133	CPU:NULL, RAM:NULL, mSATA:NULL, 1xRS232/485(selectable), 4xLAN, 4xUSB3.0, VGA/HDMI, DC12~24V Power input
NP-6123-L4	CPU:NULL, RAM:NULL, mSATA:NULL, SATA:NULL, 1xRS232/485(selectable), 1xRS-485, 8xLAN, 4xUSB3.0, 8xDI, 8xDO, VGA/HDMI, DC12~24V Power input
NP-6133-L4	CPU:NULL, RAM:NULL, mSATA:NULL, SATA:NULL, 1xRS232/485(selectable), 1xRS-485, 8xLAN, 4xUSB3.0, 8xDI, 8xDO, VGA/HDMI, DC12~24V Power input
NP-6123-MVS	CPU:NULL, RAM:NULL, mSATA:NULL, SATA:NULL, 1xRS232/485(selectable), 1xRS-485, 4xLAN, 4xUSB3.0, 8xDI, 8xDO, 4xPWM Light control support external Trigger input, VGA/HDMI, DC12~24V Power input(Must be DC24V power input when using light control functionalities)
NP-6133-MVS	CPU:NULL, RAM:NULL, mSATA:NULL, SATA:NULL, 1xRS232/485(selectable), 1xRS-485, 4xLAN, 4xUSB3.0, 8xDI, 8xDO, 4xPWM Light control support external Trigger input, VGA/HDMI, DC12~24V Power input(Must be DC24V power input when using light control functionalities)
NP-6123-MVS-L1	CPU:NULL, RAM:NULL, mSATA:NULL, SATA:NULL, 1xRS232/485(selectable), 1xRS-485, 5xLAN, 4xUSB3.0, 8xDI, 8xDO, 4xPWM Light control support external Trigger input, VGA/HDMI, DC12~24V Power input(Must be DC24V power input when using light control functionalities)
NP-6133-MVS-L1	CPU:NULL, RAM:NULL, mSATA:NULL, SATA:NULL, 1xRS232/485(selectable), 1xRS-485, 5xLAN, 4xUSB3.0, 8xDI, 8xDO, 4xPWM Light control support external Trigger input, VGA/HDMI, DC12~24V Power input(Must be DC24V power input when using light control functionalities)
NP-6123-16I16O	CPU:NULL, RAM:NULL, mSATA:NULL, 1xRS232/485(selectable), 4xLAN, 4xUSB3.0, 16xDI, 16x DO, VGA/HDMI, DC12~24V Power input
NP-6133-16I16O	CPU:NULL, RAM:NULL, mSATA:NULL, 1xRS232/485(selectable), 4xLAN, 4xUSB3.0, 16xDI, 16x DO, VGA/HDMI, DC12~24V Power input
NP-6123-L2	CPU:NULL, RAM:NULL, mSATA:NULL, SATA:NULL, 1xRS232/485(selectable), 6xLAN, 4xUSB3.0, VGA/HDMI, DC12~24V Power input
NP-6133-L2	CPU:NULL, RAM:NULL, mSATA:NULL, SATA:NULL, 1xRS232/485(selectable), 6xLAN, 4xUSB3.0, VGA/HDMI, DC12~24V Power input
NP-6123-HDD	CPU:NULL, RAM:NULL, mSATA:NULL, SATA:NULL, 1xRS232/485(selectable), 4xLAN, 4xUSB3.0, VGA/HDMI, DC12~24V Power input
NP-6133-HDD	CPU:NULL, RAM:NULL, mSATA:NULL, SATA:NULL, 1xRS232/485(selectable), 4xLAN, 4xUSB3.0, VGA/HDMI, DC12~24V Power input

Option items

Parts	Description
CPU	Intel® Pentium®: G3900,G4400 Intel® Core™ Skylake: i3-6100, i3-6100T, i5-6400, i5-6400T, i5-6500, i5-6500T, i7-6700, i7-6700T Intel® Core™ Kaby Lake: i3-7100, i5-7400, i5-7500, i7-7700, i7-7700T Intel® Core™ Coffee Lake: i3-8100, i5-8400, i5-8500, i7-8700 Intel® Core™ Comet lake: i3-10100T, i3-10100, i3-10105T, i3-10105, i5-10400T, i5-10400, i5-10500 Intel® Core™ Rocket lake: i5-11400T, i5-11500T, i5-11600T, i5-11400, i5-11500, i5-11600
DDR4 Memory	DDR4-2400MHz: 4GB, 8GB, 16GB
mSATA SSD	64GB, 128GB, 256GB, 512GB, 1TB
M.2 SATA SSD	128GB, 256GB, 512GB, 1TB, 2TB
Wifi Set	miniPCIE WIFI Set (7260 series), Cylindrical antenna
3G/4G Module	mini PCIE: EC20, EG25, EC25
Mount Option	DIN-Rail, Wall-mounted

eLink-200



eLINK-200 is designed for long-distance data transmission, it includes sender and receiver which both use high performance chipset and components.

The sender transmits HD video signal, USB signal of touch, RS232 signal to the receiver through only a network CAT5/CAT6 cable, and the transmission distance from PC to display up to 100 meters. By decoding at the receiving end, a high-quality picture is presented to the user.

With the most compact and very small mounting space, eLINK-200 is widely used in large equipment, CNC/Laser equipment and other application of long-distance transmission requirements.

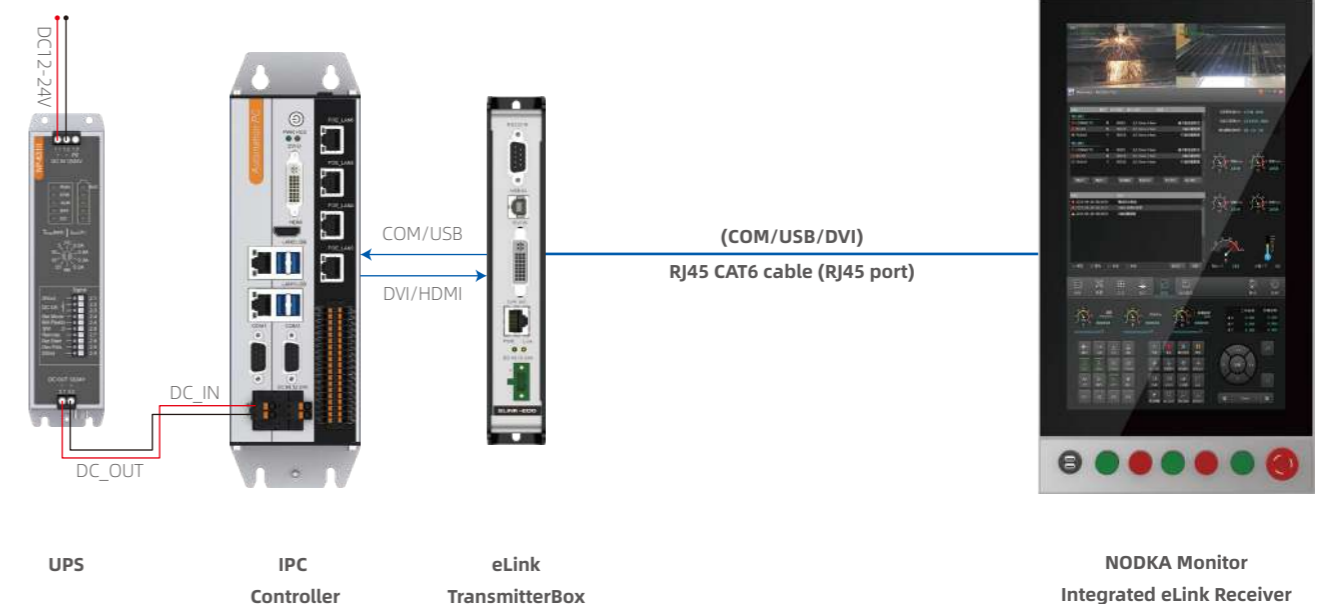
High performance decoding chip

Industrial grade design with surge protection

Maximum 100 meters communication

Transmitting video signal, USB signal and serial port signal at the same time

Book mounting kit



NP-6125/6135 SERIES

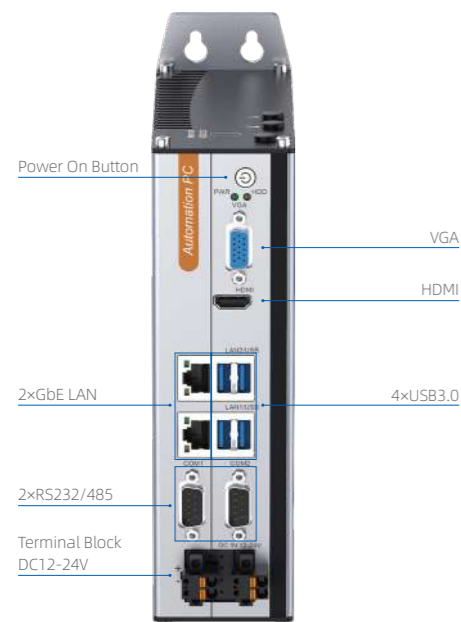


Feature

- LAN**
2xIntel® Gigabit ports
Support EtherCAT and jumbo frames
- COM**
2xRS232/RS485, RS485 support auto flow control
- miniPCIe**
1xminiPCIe slot for Wifi, 3G/4G/5G, LAN
- Option different I/O ports and accept customized**
Option different I/O board and ports
Easy to change customized logo.

- USB**
4xUSB3.0
1xUSB2.0 Type A onboard for dongle
- Display**
VGA and HDMI display port.
- Wide voltage power supply: DC12V~24V**
DC12V power input, optional DC24V, with surge power, over voltage and reverse polarity protection, with phoenix terminal contact.
- Perfect cooling system design**
Fully enclosed structure, separately space for fan cooling system, cable-free design.
Working temperature: -20°C~60°C

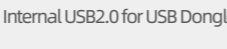
I/O Port



miniPCIe Expansion Slot



Easy to switch RS232/485

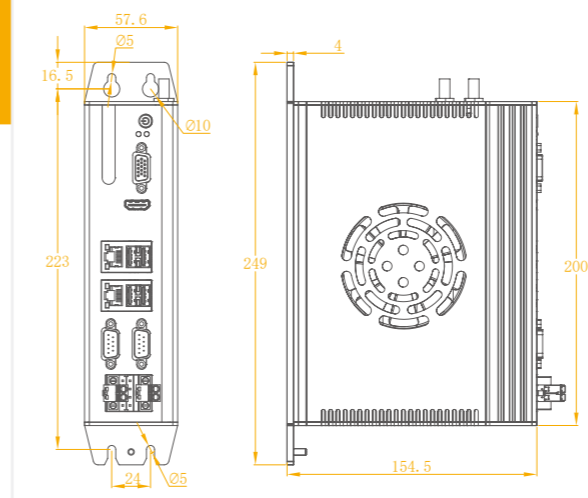


Internal USB2.0 for USB Dongle

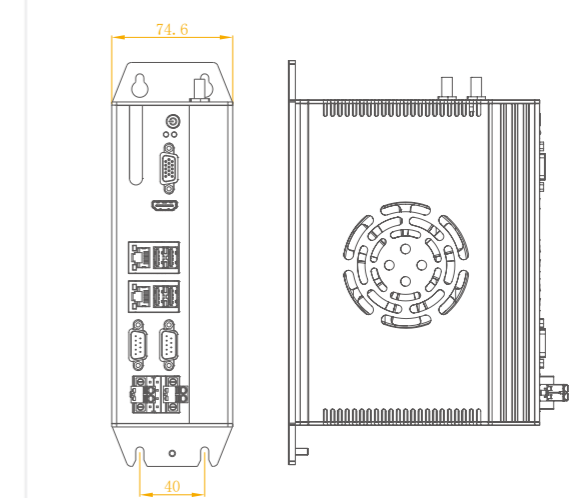


Customized Logo

Dimensions



BASIC (Unit: mm)



EXPANSION (Unit: mm)

Specifications

Model Name		NP-6125	NP-6135
System	CPU	Intel® Core™ 6/7/8/9th Gen. i7/i5/i3/Pentium® /Celeron® LGA1151 type CPU	Intel® Core™ 10/11th Gen. i9/ i7/i5/i3 LGA1200 type CPU
	TDP	Max. 65W	
	BIOS	AMI UEFI 64Mbit	
	Memory	2xSO-DIMM DDR4-2400MHz, max up to 32GB	
	Storage	1xmSATA bay, 1xM.2(B Key, Type 2280) bay support SATA	
I/O	USB	4xUSB3.0, 1xUSB2.0 Type A on the board for USB dongle	
	COM	2xRS232/RS485, RS485 support auto flow control, ESD protection for RS232	
	Ethernet	2xIntel GbE LAN controller	
Display	VGA	Support up to 1920x1200	
	HDMI	Support up to 3840x2160	
Expansions	Expansions	1x Full-size PCIe Mini slot with SIM card holder(with USB signal)	
Other	Watch Dog	1~255 levels programmable	
OS	Windows	Windows 10 IoT	
	Linux	Ubuntu, CentOS, Debian	
Power	Voltage Input	DC 12~24V ±10%, overcurrent, overvoltage and polarity inverse protection, (Must be DC24V when using Light Control)	
	Power Consumption	Basic: Max. 120W/Expansion: Max. 200W	
Chassis	Structure	Aluminum-magnesium alloy BOX with fan embedded to assist cooling, Wall-mounted or DIN-Rail fixing style	
	Dimensions(LxWxH)	Basic:200mmx154.5mmx57.6mm/Expansion:200mmx154.5mmx74.6mm	
Reliability	Work Temperature	20°C ~ 60°C (-4°F~140°F) with air flow (SSD)	
	Storage Temperature	-40°C ~ 80°C (-40°F~176°F) with air flow (SSD)	
	Relative Humidity	5~95%(Non-condensing)	
	Vibration	Operating Random Vibration Test 5~500Hz, 1.5Grms@with SSD, follow IEC 60068-2-64	
	Operating Shock	Operating 20G peak acceleration (11ms duration), follow IEC 60068-2-27	
	EMC	CE/FCC Class A	

Machine Vision application NP-6125-H1 & NP-6135-H1

Extension Interface

- 4xIntel® GbE PoE LAN, max. 15w per channel
- 8xDI NPN/PNP, isolated 2500 Vrms
- 8xDO Transistor output, I_{max}:0.5A per channel, isolated 2500 Vrms
- 4xPWM Light power control with external trigger input, I_{max}: 1A per channel



Automatic Sorting System Based on Machine Vision NP-6125-JH2B & NP-6135-JH2B

Extension Interface

- 2xIntel® GbE PoE LAN, max. 15w per channel
- 16xDI NPN/PNP, isolated 2500Vrms
- 16xDO Transistor output, I_{max}:0.5A per channel, isolated 2500 Vrms



Automatic Sorting System Based on Machine Vision NP-6125-H1B & NP-6135-H1B

Extension Interface

- 4xIntel® GbE PoE LAN, max. 15w per channel
- 16xDI NPN/PNP, isolated 2500Vrms
- 16xDO Transistor output, I_{max}:0.5A per channel, isolated 2500 Vrms

AGV and Service robots application NP-6125-JH3 & NP-6135-JH3

Extension Interface

- 4xUSB2.0
- 2xRS232/485, RS485 support auto flow control
- 2xCAN Bus 2.0A/B, 1 x DB9(Female)
- 8xDI NPN/PNP, isolated 2500Vrms
- 8xDO Transistor output, I_{max}:0.5A per channel, isolated 2500 Vrms



Machine Vision application NP-6125-JH2 & NP-6135-JH2

Extension Interface

- 2xIntel® GbE PoE LAN, max. 15w per channel
- 8xDI NPN/PNP, isolated 2500Vrms
- 8xDO Transistor output, I_{max}:0.5A per channel, isolated 2500 Vrms
- 4xPWM Light power control with external trigger input, I_{max}: 1A per channel



Intelligent Gateway Industry application NP-6125-JH4 & NP-6135-JH4

Extension Interface

- 8xRS485, RS485 support auto flow control, there are two status leds for data sending and receiving in each channel, 120ohm terminal resistor can be turned on or off by the switch.
- 8xDI NPN/PNP, isolated 2500Vrms
- 4xRelay DO(Normally Open)



NP-6125/6135 SERIES



Guidance and Positioning Based on Machine Vision

NP-6125-8PoE & NP-6135-8PoE

Extension Interface

- 8xIntel® GbE PoE LAN controller, max. 15W per channel



AGV and Service robots application

NP-6125-CAN2 & NP-6135-CAN2

Extension Interface

- 2xCAN Bus 2.0 A/B

Automation Control application

NP-6125-L2 & NP-6135-L2

Extension Interface

- 2xIntel® Gigabit ports



Ordering Information

Product Code	Configuration
NP-6125	CPU:NULL, RAM:NULL, mSATA:NULL, M.2 SATA:NULL, 2xRS232/485(selectable), 2xLAN, 4xUSB3.0, VGA/HDMI, DC12~24V Power input
NP-6135	CPU:NULL, RAM:NULL, mSATA:NULL, M.2 SATA:NULL,2xRS232/485(selectable), 2xLAN, 4xUSB3.0, VGA/HDMI, DC12~24V Power input
NP-6125-H1	CPU:NULL, RAM:NULL, mSATA:NULL, M.2 SATA:NULL,2xRS232/485(selectable), 2xLAN, 4xUSB3.0, VGA/HDMI, 8xDI, 8xDO, 4xLight control, 4x External trigger input, 4xPoE LAN, DC12~24V Power input(must be DC24V input when using Light control)
NP-6135-H1	CPU:NULL, RAM:NULL, mSATA:NULL, M.2 SATA:NULL,2xRS232/485(selectable), 2xLAN, 4xUSB3.0, VGA/HDMI, 8xDI, 8xDO, 4xLight control, 4x External trigger input, 4xPoE LAN, DC12~24V Power input(must be DC24V input when using Light control)
NP-6125-H1B	CPU:NULL, RAM:NULL, mSATA:NULL, M.2 SATA:NULL, 2xRS232/485(selectable), 2xLAN, 4xUSB3.0, VGA/HDMI, 16xDI, 16xDO, 4xPoE LAN, DC12~24V Power input
NP-6135-H1B	CPU:NULL, RAM:NULL, mSATA:NULL, M.2 SATA:NULL, 2xRS232/485(selectable), 2xLAN, 4xUSB3.0, VGA/HDMI, 16xDI, 16xDO, 4xPoE LAN, DC12~24V Power input
NP-6125-JH2	CPU:NULL, RAM:NULL, mSATA:NULL, M.2 SATA:NULL, 2xRS232/485(selectable), 2xLAN, 4xUSB3.0, VGA/HDMI, 8xDI, 8xDO, 4xLight control, 4x External trigger input, 2xPoE LAN, DC12~24V Power input(must be DC24V input when using Light control)
NP-6135-JH2	CPU:NULL, RAM:NULL, mSATA:NULL, M.2 SATA:NULL, 2xRS232/485(selectable), 2xLAN, 4xUSB3.0, VGA/HDMI, 8xDI, 8xDO, 4xLight control, 4x External trigger input, 2xPoE LAN, DC12~24V Power input(must be DC24V input when using Light control)
NP-6125-JH2B	CPU:NULL, RAM:NULL, mSATA:NULL, M.2 SATA:NULL, 2xRS232/485(selectable), 2xLAN, 4xUSB3.0, VGA/HDMI, 16xDI, 16xDO, 2xPoE LAN, DC12~24V Power input
NP-6135-JH2B	CPU:NULL, RAM:NULL, mSATA:NULL, M.2 SATA:NULL, 2xRS232/485(selectable), 2xLAN, 4xUSB3.0, VGA/HDMI, 16xDI, 16xDO, 2xPoE LAN, DC12~24V Power input
NP-6125-JH3	CPU:NULL, RAM:NULL, mSATA:NULL, M.2 SATA:NULL, 4xRS232/485(selectable), 2xLAN, 4xUSB3.0, 4xUSB2.0, VGA/HDMI, 8xDI, 8xDO, DC12~24V Power input
NP-6125-JH3-Audio	CPU:NULL, RAM:NULL, mSATA:NULL, M.2 SATA:NULL, 4xRS232/485(selectable), 2xLAN, 4xUSB3.0, 4xUSB2.0, VGA/HDMI, 8xDI, 8xDO, 1xLineout, DC12~24V Power input
NP-6135-JH3	CPU:NULL, RAM:NULL, mSATA:NULL, M.2 SATA:NULL, 4xRS232/485(selectable), 2xLAN, 4xUSB3.0, 4xUSB2.0, VGA/HDMI, 8xDI, 8xDO, DC12~24V Power input
NP-6135-JH3-Audio	CPU:NULL, RAM:NULL, mSATA:NULL, M.2 SATA:NULL, 4xRS232/485(selectable), 2xLAN, 4xUSB3.0, 4xUSB2.0, VGA/HDMI, 8xDI, 8xDO, 1xLineout, DC12~24V Power input
NP-6125-JH4	CPU:NULL, RAM:NULL, mSATA:NULL, M.2 SATA:NULL, 2xRS232/485(selectable), 8xRS485, 2xLAN, 4xUSB3.0, VGA/HDMI, 8xDI, 4xRelay DO, DC12~24V Power input
NP-6135-JH4	CPU:NULL, RAM:NULL, mSATA:NULL, M.2 SATA:NULL, 2xRS232/485(selectable), 8xRS485, 2xLAN, 4xUSB3.0, VGA/HDMI, 8xDI, 4xRelay DO, DC12~24V Power input
NP-6125-8POE	CPU:NULL, RAM:NULL, mSATA:NULL, M.2 SATA:NULL, 2xRS232/485(selectable), 2xLAN, 4xUSB3.0, VGA/HDMI, 8xPoE LAN, DC12~24V Power input
NP-6135-8POE	CPU:NULL, RAM:NULL, mSATA:NULL, M.2 SATA:NULL, 2xRS232/485(selectable), 2xLAN, 4xUSB3.0, VGA/HDMI, 8xPoE LAN, DC12~24V Power input
NP-6125-CAN2	CPU:NULL, RAM:NULL, mSATA:NULL, M.2 SATA:NULL, 2xRS232/485(selectable), 2xLAN, 4xUSB3.0, 2xCAN2.0A/B, VGA/HDMI, DC12~24V Power input
NP-6135-CAN2	CPU:NULL, RAM:NULL, mSATA:NULL, M.2 SATA:NULL, 2xRS232/485(selectable), 2xLAN, 4xUSB3.0, 2xCAN2.0A/B, VGA/HDMI, DC12~24V Power input
NP-6125-L2	CPU:NULL, RAM:NULL, mSATA:NULL, M.2 SATA:NULL, 2xRS232/485(selectable), 4xLAN, 4xUSB3.0, VGA/HDMI, DC12~24V Power input
NP-6135-L2	CPU:NULL, RAM:NULL, mSATA:NULL, M.2 SATA:NULL, 2xRS232/485(selectable), 4xLAN, 4xUSB3.0, VGA/HDMI, DC12~24V Power input

Option items

Parts	Description
CPU	Intel® Pentium®: G3900,G4400 Intel® Core™ Skylake: i3-6100, i3-6100T,i 5-6400, i5-6400T, i5-6500, i5-6500T, i7-6700, i7-6700T Intel® Core™ Kaby Lake: i3-7100, i5-7400, i5-7500, i7-7700, i7-7700T Intel® Core™ Coffee Lake: i3-8100, i5-8400, i5-8500, i7-8700 Intel® Core™ Comet lake: i3-10100T, i3-10100, i3-10105T, i3-10105, i5-10400T, i5-10400, i5-10500 Intel® Core™ Rocket lake: i5-11400T, i5-11500T, i5-11600T, i5-11400, i5-11500, i5-11600
DDR4 Memory	DDR4-2400MHz: 4GB, 8GB, 16GB
mSATA SSD	64GB, 128GB, 256GB, 512GB, 1TB
M.2 SATA SSD	128GB, 256GB, 512GB, 1TB, 2TB
Wifi Set	miniPCIe WIFI Set (7260 series),Cylindrical antenna
3G/4G Module	mini PCIe: EC20, EG25, EC25
Mount Option	DIN-Rail, Wall-mounted

NP-6116 SERIES

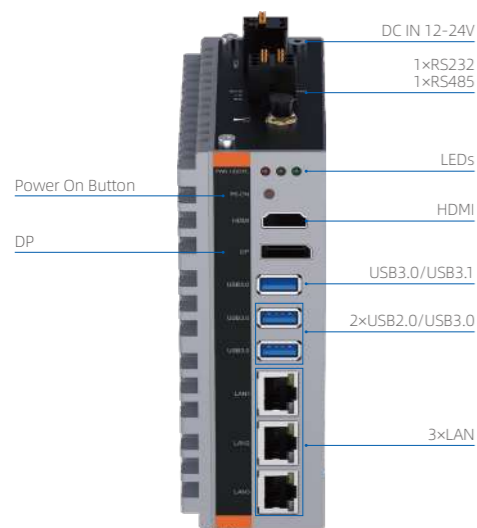


Feature

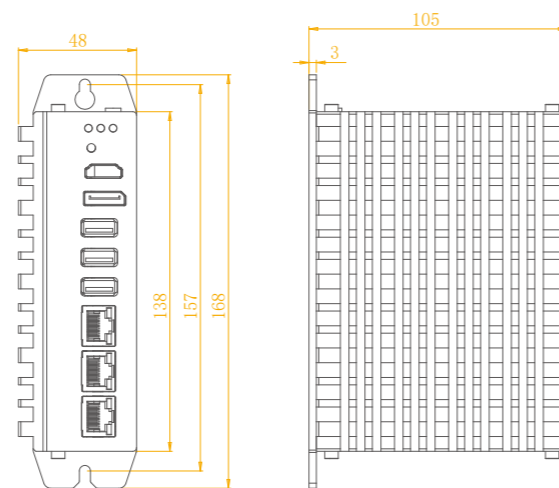
- LAN**
3xGigabit ports
- COM**
1xRS232, 1xRS485
- miniPCIe**
2xminiPCIe slot for Wifi, 3G/4G/5G, LAN
- Wide voltage power supply: DC12V~24V**
overcurrent, overvoltage and polarity inverse protection. Double fastening power plugs.
- Compact design**
book style, wall mounted, din rail mounted extremely space-saving design.

- USB**
3xUSB
- Display**
DP and HDMI display port
- Fastened MSATA electronic disk slot**
To avoid IPC failure caused by the use of mechanical hard drive in the vibration, high temperature and illegal power.
- Perfect cooling system design**
Fully enclosed structure, fanless, cable-free design. Working temperature: -20°C~60°C

I/O Port



Dimensions



(Unit: mm)

Specifications

Model Name		NP-6116	
System	CPU	Intel® Celeron J1900, 2.0GHz, 4 cores/4 threads, 2MB L2 cache	Intel® Celeron J6412, 2.0~2.6GHz, 4 cores/4 threads, 1.5MB L2 cache
	TDP	Max. 10W	
	BIOS	AMI 64Mb UEFI	AMI UEFI 256Mb
	Memory	1xSO-DIMM DDR3L-1333MHz (Up to 8GB)	1xSO-DIMM DDR4-3200MHz (Up to 32GB)
	Storage	1xM.2 2242 SATA2.0	1xM.2 2242
I/O	USB	1xUSB3.0, 2xUSB2.0	3xUSB3.1
	COM	1xRS232, 1xRS485	1xRS232, 1xRS485
	Ethernet	2xRTL8111H GbE LAN, 1xIntel GbE LAN	3xIntel GbE LAN
Display	DP	Support up to 560x1600 @60Hz	Support up to 4096x2160 @60Hz
	HDMI	Support up to 1920x1080 @60Hz	Support up to 3840x2160 @60Hz
Expansions	Expansions	1xFull-size PCIe Mini slot with SIM card holder	
Other	DO	1xProgrammable led	
	Remote ON-OFF	1~255 levels programmable	
OS	Windows	Windows 10 IoT	
	Linux	Ubuntu, CentOS, Debian	
Power	Voltage Input	DC 12~24V ±10%, overcurrent, overvoltage and polarity inverse protection	
	Power Consumption	Max. 45W	
Chassis	Structure	Aluminum-magnesium alloy box, Fanless, Wall-mounted or DIN-Rail	
	Dimensions(LxWxH)	138mmx102mmx48mm	
Reliability	Work Temperature	-20°C ~ 60°C (-4°F~140°F) with air flow (SSD)	
	Storage Temperature	-40°C ~ 80°C (-40°F~176°F) with air flow (SSD)	
	Relative Humidity	5~95%(Non-condensing)	
	Vibration	Operating Random Vibration Test 5~500Hz, 1.5Grms@with SSD, follow IEC 60068-2-64	
	Operating Shock	Operating 20G peak acceleration (11ms duration), follow IEC 60068-2-27	
	EMC	CE/FCC Class B	

Ordering Infomation

Product Code	Configuration
NP-6116-J1900	CPU:J1900, RAM:NULL, M.2 SATA: NULL, 1xRS232, 1xRS485, 3xLAN, 1xUSB3.0, 1xUSB2.0, HDMI/DP display, DC12-24V DC IN
NP-6116-J6412	CPU:j6412, RAM:NULL, M.2: NULL, 1xRS232, 1xRS485, 3xLAN,3xUSB3.0, HDMI/DP display, DC12-24V DC IN

Option items

Parts	Description
DDR3L Memory	DDR3L-1333MHz: 4GB, 8GB
DDR4 Memory	DDR4-3200MHz: 4GB, 8GB, 16GB, 32GB
M.2 SATA SSD	64GB, 128GB, 256GB, 512GB
M.2 SSD	64GB, 128GB, 256GB, 512GB, 1TB
Wifi Set	mini PCIE: Intel 7260
3G/4G Module	mini PCIE: EC20, EG25, EC25
Mount Option	DIN-Rail, Wall-mounted

NP-6117 SERIES

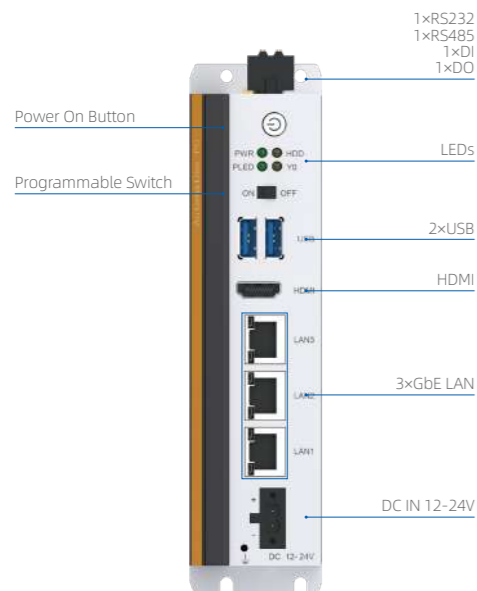


Feature

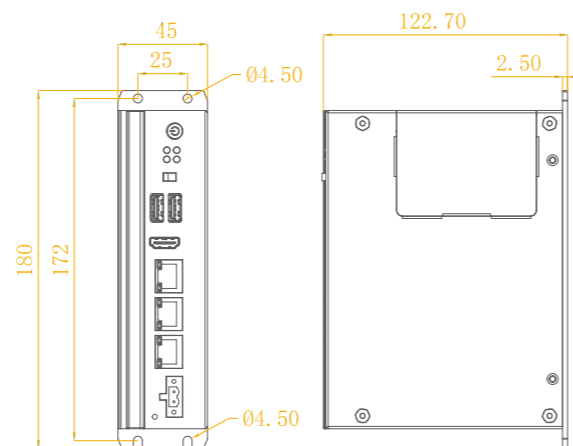
- LAN**
3xGigabit ports
- COM**
1xRS232, 1xRS485 (Phoenix terminal)
- miniPCIe**
1xminiPCIe slot for Wifi, 3G/4G/5G, LAN
- Wide voltage power supply: DC12V~24V**
DC12V power input, optional DC24V, with surge power, over voltage and reverse polarity protection, with phoenix terminal contact.
- Compact design**
book style, wall mounted, din rail mounted extremely space-saving design.

- USB**
2xUSB
1xUSB2.0 Type A onboard for dongle
- Without cable inside**
Without cable connection to protect the reliability and lower failure rate.
- Fastened MSATA electronic disk slot**
To avoid IPC failure caused by the use of mechanical hard drive in the vibration, high temperature and illegal power.
- Perfect cooling system design**
Fully enclosed structure, fanless, cable-free design
Working temperature: -20°C~60°C.

I/O Port



Dimensions



(Unit: mm)

Specifications

Model Name		NP-6117	
System	CPU	Intel® Celeron J1900, 2.0GHz, 4 cores/4 threads, 2MB L2 cache	Intel® Celeron J6412, 2.0-2.6GHz, 4 cores/4 threads, 1.5MB L2 cache
	TDP	Max. 10W	
	BIOS	AMI UEFI 64Mbit	
	Memory	1xSO-DIMM DDR3L-1333MHz (Up to 8GB)	1xSO-DIMM DDR4-3200MHz (Up to 16GB)
	Storage	1xmSATA SSD bay	
I/O	USB	1xUSB3.0, 1xUSB2.0	2xUSB3.0
	COM	1xRS232, 1xRS485(Phoenix terminal)	
	Ethernet	1xIntel GbE LAN controller, 2xRTL8111H GbE LAN controller	
	DI	1xDI NPN, 1xProgrammable Switch (SIO signal)	
	DO	1xDO Transistor output; 1xProgrammable LED(SIO signal)	
Display	HDMI	Support up to 1920 x 1080	Support up to 3840x2160
Expansions	Expansions	1xFull-size PCIe Mini slot with SIM card holder(with USB signal)	
Other	Watch Dog	1~255 levels programmable	
OS	Windows	Windows 10 IoT	
	Linux	Ubuntu, CentOS, Debian	
Power	Voltage Input	DC 12~24V ±10%, overcurrent, overvoltage and polarity inverse protection	
	Power Consumption	Max. 45W	
Chassis	Structure	Aluminum-magnesium alloy box, Fanless, Wall-mounted or DIN-Rail	
	Dimensions(LxWxH)	160mmx122.7mmx45mm	
Reliability	Work Temperature	-20°C ~ 60°C (-4°F~140°F) with air flow (SSD)	
	Storage Temperature	-40°C ~ 80°C (-40°F~176°F) with air flow (SSD)	
	Relative Humidity	5~95%(Non-condensing)	
	Vibration	Operating Random Vibration Test 5~500Hz, 1.5Grms@with SSD, follow IEC 60068-2-64	
	Operating Shock	Operating 20G peak acceleration (11ms duration), follow IEC 60068-2-27	
	EMC	CE/FCC Class A	

Ordering Information

Product Code	Configuration
NP-6117-J1900	CPU:J1900, RAM:NULL, mSATA: NULL, 1xRS232, 1xRS485, 3xLAN, 1xUSB3.0, 1xUSB2.0, HDMI, 2xDI, 2xDO, DC12/24V Power Input
NP-6117-J6412	CPU:J6412, RAM:NULL, mSATA: NULL, 1xRS232, 1xRS485, 3xLAN, 2xUSB3.0, HDMI, 2xDI, 2xDO, DC12/24V Power Input

Option items

Parts	Description
DDR3L Memory	DDR3L-1333MHz: 4GB, 8GB
DDR4 Memory	DDR4-3200MHz: 4GB, 8GB, 16GB
mSATA SSD	64GB, 128GB, 256GB, 512GB, 1TB
Wifi Set	mini PCIe: Intel 7260
3G/4G Modules	mini PCIe: EC20, EG25, EC25
Mount Option	DIN-Rai, Wall-mounted

NP-6118 SERIES

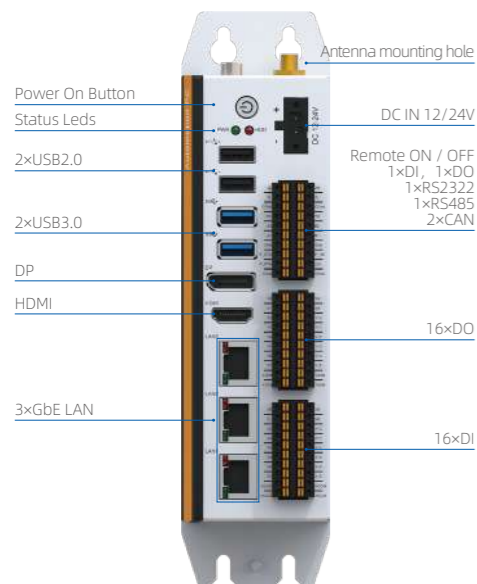


Feature

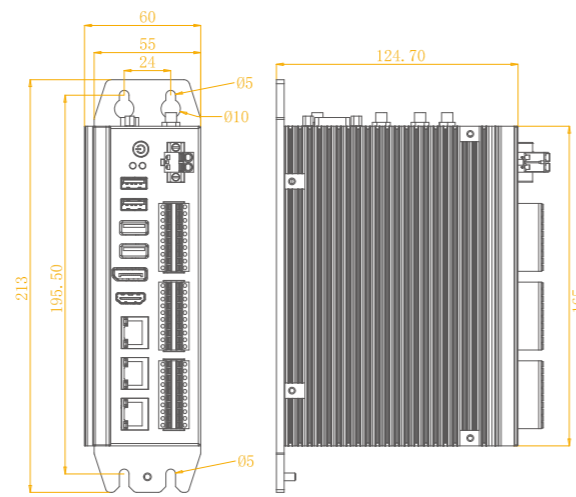
- Compact design with rugged aluminum alloy housing**
 Book style with ultra-compact, sealed housing with fanless design.
- Fanless Design**
 Fanless design and working temperature is -20 to 60°C.
- Flexible modular design**
 Product is with modular design structure, easy for maintenance and upgrade.
- No cable design**
 Using high quality connector between the boards, reliability and stability for no cable connection design.
- Fastened power connector**
 DC 12/24V ±10% power input, with over-current, overvoltage and reverse protection measures, the interface using.

- UPS**
 Build in super capacitor UPS, can backup for 5 seconds.
- USB**
 2xUSB3.0, 2xUSB2.0, 1xUSB2.0 Type A on the board for USB dongle.
- Super capacitor**
 IO signal can be triggered to save data when power. As a filter when power fluctuations. Space-saving
- Easy for customization**
 Customized logo, Customized Independent IO

I/O Port



Dimensions



(Unit: mm)

Specifications

Model Name		NP-6118-16I160C	
System	CPU	Intel® Celeron J1900, 2.0~2.41GHz, 4 cores/4 threads, 2MB L2 cache	Intel® Celeron J6412, 2.0~2.6GHz, 4 cores/4 threads, 1.5MB L2 cache
	TDP	Max. 10W	
	BIOS	AMI UEFI 64Mbit	
	Memory	1xSO-DIMM DDR3L-1333MHz (max. 8GB)	1xSO-DIMM DDR4-3200MHz (max. 16GB)
	Storage	1xmSATA SSD bay	
I/O	USB	1xUSB3.0, 3xUSB2.0, 1xUSB2.0 Type A on the board for USB dongle	2xUSB3.0, 2xUSB2.0, 1xUSB2.0 Type A on the board for USB dongle
	COM	1xRS232, 2xRS485 (Phoenix terminal)	
	Ethernet	1xIntel GbE LAN controller, 2xRTL8111H GbE LAN controller	
	DI	16xDI NPN/PNP, isolated 3750 Vrms	
	DO	16xDO, Transistor output, I _{max} :0.5A per channel, isolated 3750 Vrms	
Display	CAN	2xCAN Bus 2.0A/B(Phoenix terminal)	
	HDMI	Support up to 1920x1080	Support up to 4096x2160
	DP	-	Support up to 4096x2160
Expansions	Expansions	1xFull-size PCIe Mini slot with SIM card holder(with USB signal), 1xM.2KEY-A, Support Wifi modules	
Other	Watch Dog	1~255 levels programmable	
OS	Windows	Windows 10 IoT	
	Linux	Ubuntu, CentOS, Debian	
Power	Voltage Input	DC12/24V±10%, overcurrent, overvoltage and polarity inverse protection, Super capacitors integrated	
	Power Consumption	Max. 45W	
Chassis	Structure	Aluminum-magnesium alloy box, Fanless, Wall-mounted or DIN-Rail	
	Dimensions(LxWxH)	165mmx124.7mmx60mm	
Reliability	Work Temperature	-20°C ~ 60°C (-4°F~140°F) with air flow (SSD)	
	Storage Temperature	-40°C ~ 80°C (-40°F~176°F) with air flow (SSD)	
	Relative Humidity	5~95%(Non-condensing)	
	Vibration	Operating Random Vibration Test 5~500Hz, 1.5Grms@with SSD, follow IEC 60068-2-64	
	Operating Shock	Operating 20G peak acceleration (11ms duration), follow IEC 60068-2-27	
	EMC	CE/FCC Class A	

Ordering Information

Product Code	Configuration
NP-6118-16I160C-J1900	CPU:J1900, RAM:NULL, mSATA: NULL, 1xRS232, 2xRS485, 2xCAN2.0, 3xLAN, 1xUSB3.0, 3xUSB2.0, HDMI, 16xDI, 16xDO, DC12/24V Power Input
NP-6118-16I160C-J6412	CPU:J6412, RAM:NULL, mSATA: NULL, 1xRS232, 2xRS485, 2xCAN2.0, 3xLAN, 2xUSB3.0, 2xUSB2.0, HDMI/DP, 16xDI, 16xDO, DC12/24V Power Input

Option items

Parts	Description
DDR3L Memory	DDR3L-1333MHz: 4GB, 8GB
DDR4 Memory	DDR4-3200MHz: 4GB, 8GB, 16GB
mSATA SSD	64GB, 128GB, 256GB, 512GB, 1TB
Wifi Set	Intel AX210 wifi 6E M.2 Set
3G/4G Modules	mini PCIe: EC20, EG25, EC25
Mount Option	DIN-Rail, Wall-mounted