

SAFETY GATE TYPE L

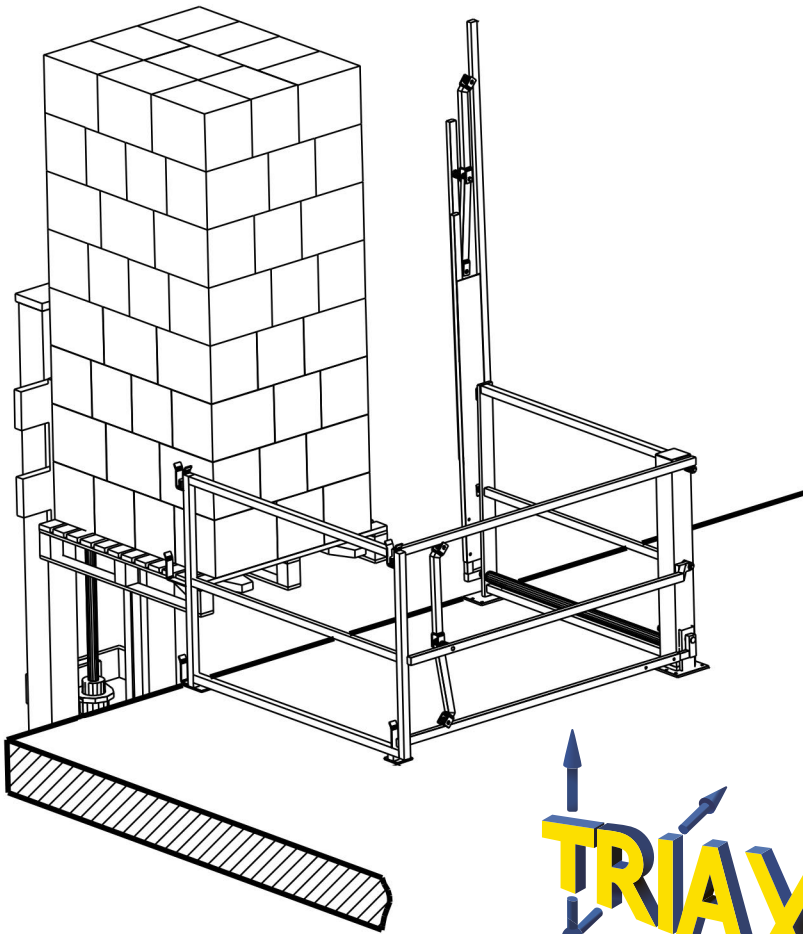


TRIAX develops a large range of safety gates completely conform with safety standards and the ergonomics of different workstations. The objective is to guarantee safeguard and perimeter protection for handling loads on different levels and heights.

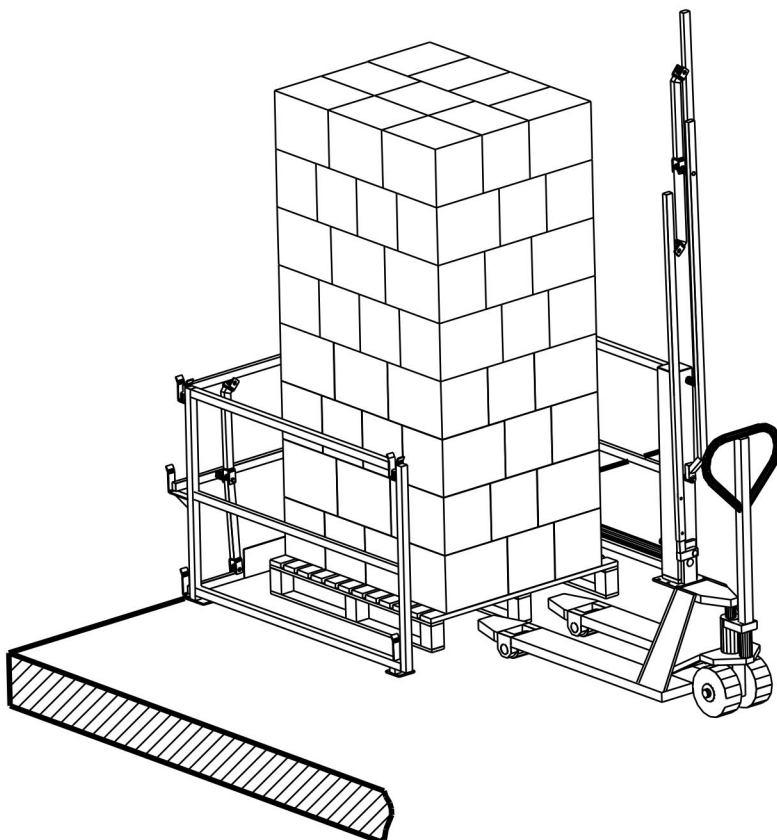


TECHNICAL SPECIFICATION

SAFETY GATE TYPE L



TRIAX



- Pallet handling by means of a fork truck or a hoist.
- Dimensions of the loads: on request.
- Finishing RAL 1021 (others on request: RAL, stainless steel, metallization,...).
- TÜV-certified.

TRIAX

Z.A. - 67 rue des Vignes
F-45240 MARCILLY EN VILLETTE

☎ +33 (0)2 38 76 12 00

@ triax@trias-securite.com

🌐 www.triax-securite.com